

**BEDNAR**

**LONG-LIFE**  
spare parts

Chisels, wings, tines, points

► **BETEK**

**BEDNAR**



**JOY**  
OF FARMING



# LONG-LIFE chisels for higher work performance



# Chisels and wings LONG-LIFE for Terraland TN, TN\_Profi and TO



TERRALAND TN, TN\_PROFI, TO  
D – KM060411 M – KM060410\*  
KM060411\*\*  
Chisel Long-Life 70 mm (1 pcs)

\* to version: DA  
\*\* from version: DA



TERRALAND TN, TO, TN\_PROFI  
KM060483  
Wing Long-Life L (1 pcs)  
KM060484  
Wing Long-Life R (1 pcs)



TERRALAND TN, TO, TN\_PROFI  
KM060340  
Chisel Long-Life 40 mm (1 pcs)

## Do not lose time, choose Long-Life!

**BEDNAR is dedicated to the importance of high quality of the wearable parts. The cost of wearable parts plays an important role throughout the entire life of the soil processing machine.**

Higher levels of resistance of tips, wings, tines and points significantly lowers not only the cost of wear on parts but also the time required for exchange of working units (chisels, wings, ...). New chisels, wings, tines and points Long-Life significantly increase the lifetime of these parts and thus increase the effectiveness of the machines use.

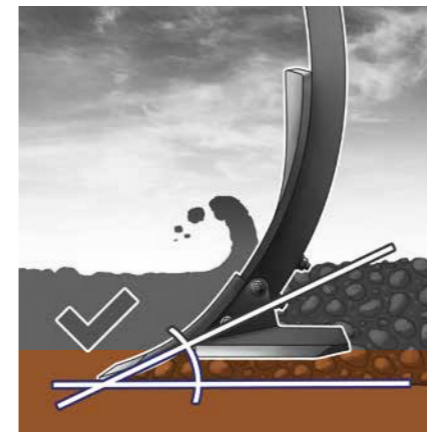
### With new Long-Life working parts you will achieve quality, time and cost benefits:

- Significantly longer lifetime than traditional standard parts.
- Consistent working depth and equal quality of work.
- Improved penetration, lower traction power requirement due to the permanently sharp cutting edges.
- No need to adjust working width during the wear-out period.
- Time and cost savings due to fewer worn parts.
- Longer period of use during a season.
- Lower costs per hectare.
- Optimal utilisation of tractor power.
- Savings on storage space and transport costs.



Long-Life chisel after processing 700 ha of soil

### NEW STANDARD CHISELS



- Flat working angle
- Soil profile is undercut
- Soil is kept to upper layers
- Low traction resistance for the tractor

### WORN STANDARD CHISELS



- Acute working angle
- Soil is pushed (soil is not undercut as by new chisels)
- Soil is no longer kept in upper layers
- Higher traction resistance
- Higher fuel consumption
- High levels of strain on the machine (frames, bearings etc.)
- Reduction of working speed

### Long-Life CHISELS



- Permanently flat working angle
- Soil is undercut
- Soil is kept in upper layers
- Constant low traction resistance
- Reduction of fuel consumption
- Reduction of strain on the machine (frames, bearing etc.)
- Higher working performance

# Chisels and wings LONG-LIFE for Terraland DO and Fenix FN, FO



# Chisels LONG-LIFE for Versatill VO



FENIX FN, FO, TERRALAND DO  
until 2019 – KM060402  
since 2019 – KM060427  
Chisel Long-Life 80 mm (1 pcs)

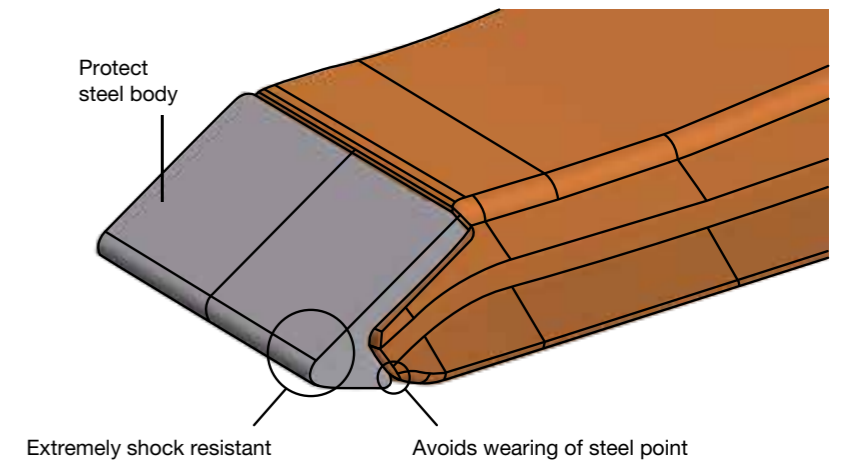


FENIX FN, FO, TERRALAND DO  
since 2019 – KM060446  
Chisel Long-Life 40 mm (1 pcs)

VERSATIL VO  
KM060511  
Chisel Long-Life 40 mm (1 pcs)



The secret of Long-Life chisels



“The Long-Life chisels last 6 times longer than chisels with weldments in our conditions. Their advantages were confirmed during the dry season and they convinced us to such extent that we no longer use any other chisels on the machine.”

Jiří Mátl, Mechanisation Technician



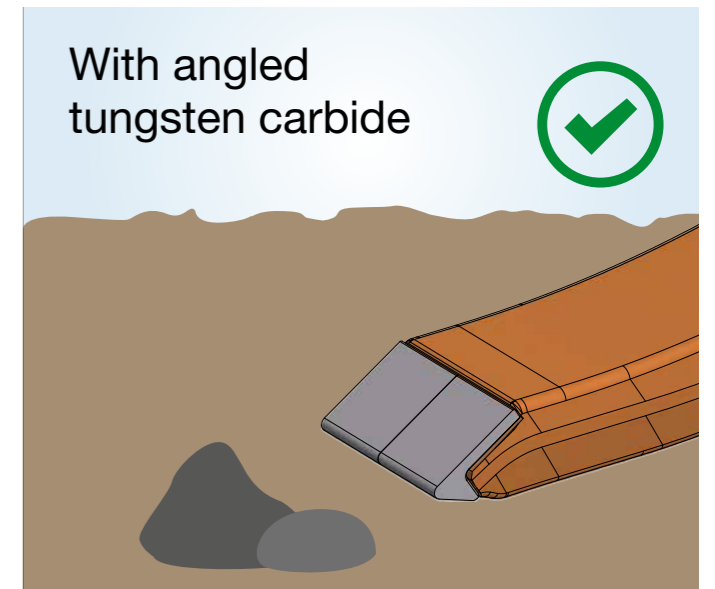
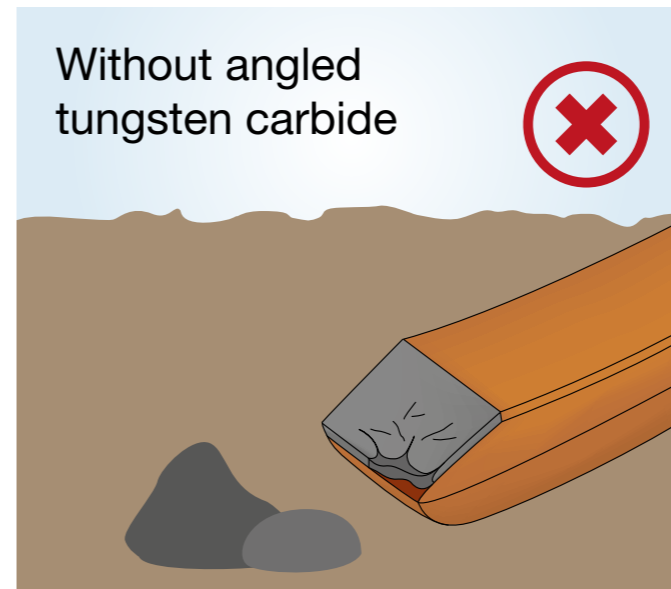
FENIX FN, FO, TERRALAND DO  
until 2019                      since 2019

KM060316  
Wing Long-Life L  
185 mm (1 pcs)

KM060317  
Wing Long-Life R  
185 mm (1 pcs)

KM060447  
Wing Long-Life L  
185 mm (1 pcs)

KM060448  
Wing Long-Life R  
185 mm (1 pcs)





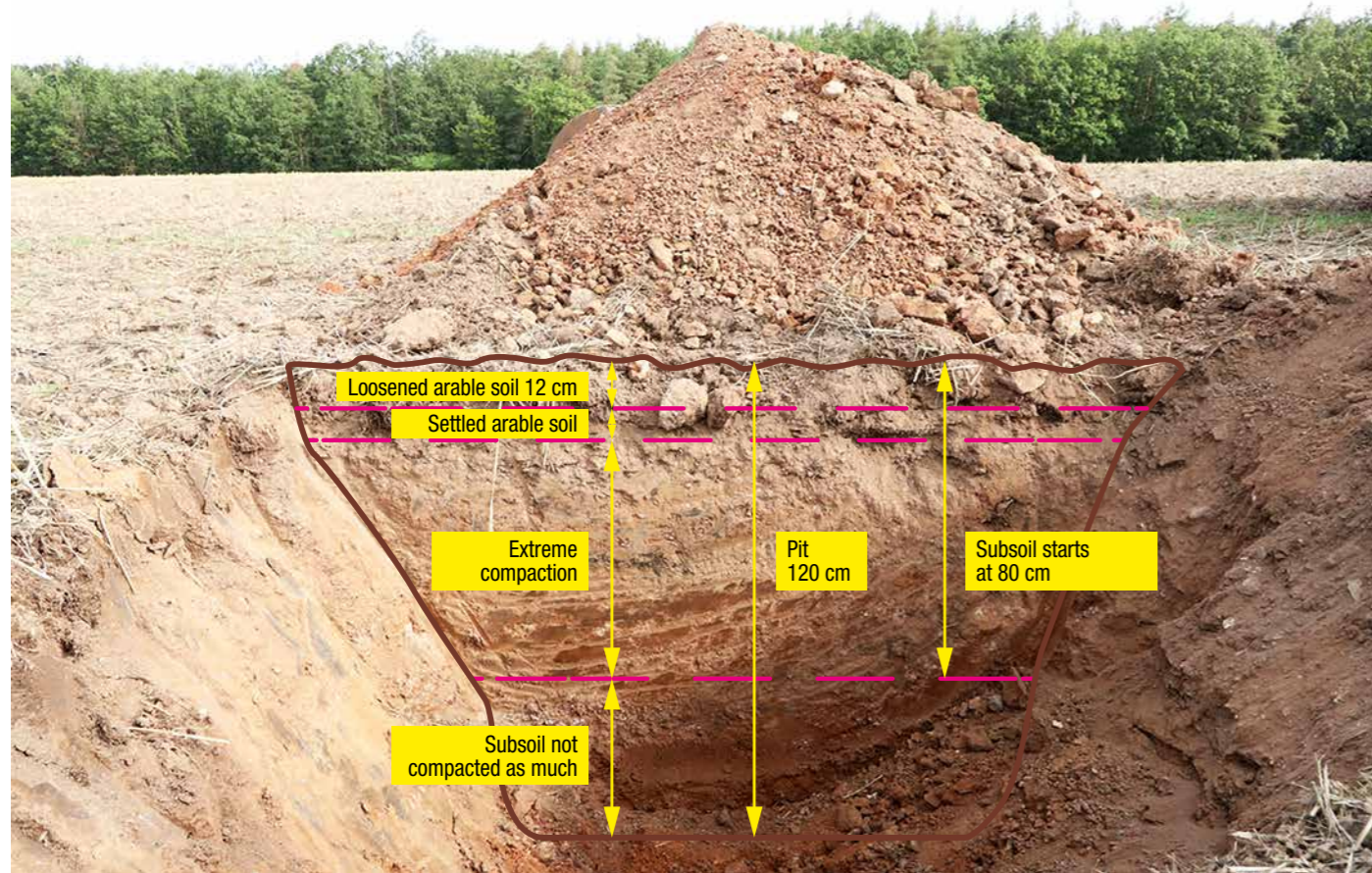
# We tested the Long-Life wearing metal in normal operations

## How the testing was done

The soils was cultivated at the end of July and in early August at a depth of 45cm. In October and November, the fields were prepared for winter in the machines maximum working depth of 65cm. This allowed all of the water from during the winter to be absorbed in the soil. For accurate results, all of the wearing metal were new and unused prior to the commencement of the test.

## Soil pit

The fields that were used for the test had never been cultivated at depth. As such, we used a digger to create soil pits at a depth of 120 cm. It was obvious at first sight that the working elements would have to work hard in those conditions. All the fields where the test was performed were cultivated with standard tillage in a depth of 20–25 cm for several years prior. During that time, massive impermeable layers were formed. Before the deep cultivation of soil, stubble cultivation was performed in a depth of 12 cm using the SWIFTERDISC XE 10000 cultivator that they purchased in Probios farm for this season. The measurement showed that the layer of loosened arable soil is 12 cm strong thanks to the stubble cultivation, the settled arable layer measured 8 cm. Extreme compaction started at 20 cm below the surface and continued to a depth of 60 cm. The subsoil started at a depth of 80 cm below the surface and it was not very compacted.



Comparison of the ordinary wing after 44 hectares



Comparison of Long-Life wing after 44 hectares



## BASIC 70 MM CHISELS AND WINGS

They are working parts that do not have any hard metal coating and they wore most frequently in such difficult conditions. The first replacement of chisels was done after 7.3 ha. To make the test as accurate as possible, we did not use one, but several chisels for the test. The replacement interval settled at 15 hectares after 250 hectares. The ordinary winglets do not have a front width part and thus they quickly lost their shape. They were replaced after 53 ha on average.

## LONG-LIFE WEARING METAL

The tip and the entire wearing surfaces of the points are covered with carbide plates. The front part of the wings is made of widia plates that minimise wear along the width. This maintained the shape for the entire test, and also kept the a constant performance. The entire test was done on 250 hectares of agricultural soil and the working parts did not have to be replaced once during that time.



Long-Life chisel after 140 hectares

## Test Results

In the conditions of the Rakovník region where we tested the wear and tear, we found that the Long-Life chisel lasts up to 17 times longer than the basic chisel and twice as long as the chisel with weld deposits. The LONGLIFE winglets last 5 times longer than the regular winglets without weld deposits.

After about 250 hectares, the LONGLIFE chisel is in a condition that will enable its use for other 200 hectares in the following season, according to the operator's estimate. It is definitely worth to pay a little extra for quality, especially when it also brings an increased quality of work and considerable financial savings. And also saving operator down time on changinf those points.



# Tines Long-Life

# Gamma points Long-Life



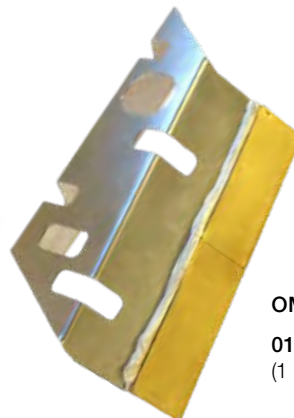
**STRIEGEL-PRO PE, PN**

**01364391** – Tine  
Long-Life (1pcs)



**SWIFTER SN, SO, SE, SM**

**KM060416** – Gamma point (1 pcs)



**OMEGA OO\_L, OO\_FL**

**01290453** – Seed coulter scraper  
(1 pcs)



“I had a chance to test various chisels for the Terraland, including “Long-Life”. These chisels proved to be the best. They lasted 6 times longer than regular chisels. They are necessary for effective farming in the dry season. I recommend using them for their undisputable benefits, such as quality of soil profile processing and less time spent on maintenance.”

Zdeněk Krones, Operator

Agrona Staré Město, a. s.  
Staré Město, Svitavy, Czech Republic  
3 000 ha

**BEDNAR FMT, s. r. o.**  
Lohenicka 607  
190 17 Praha-Vinor  
Czech Republic



Your Authorised Dealer

info@bednar.com  
www.bednar.com

