

YOU CAN REST ASSURED!

original spare parts



In the area of agriculture, the time factor plays an important role. We are fully aware of this fact and therefore we keep improving our system of spare parts delivery and our service provision so as to ensure that your machine is always 100 % ready for work.

4 PILLARS THAT ENSURE 100 % QUALITY AND A PROMPT SPARE PART DELIVERY:



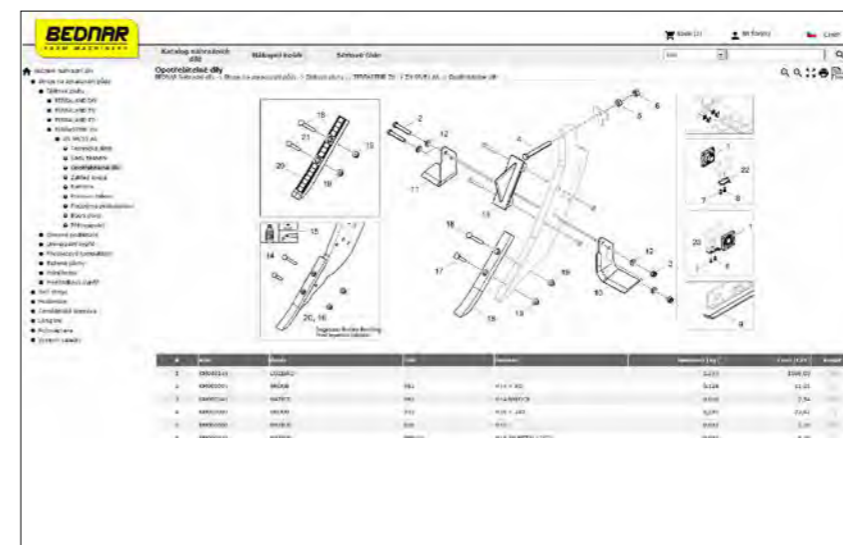
PILLAR 1 – SPARE PART DEVELOPMENT

BEDNAR original spare parts are developed so as to ensure that you always achieve premium quality of work and a long service life of spare parts. Our designers base development of spare parts on cutting-edge trends both in agriculture and in the materials used. Using modern software, they transform them into new, innovative solutions that meet the real needs of farmers. We strive to seek new solutions in all areas that can enhance the quality of the work of our machines – material, shape, and brand new design solutions. Careful and patient development considering the real needs of farmers is the basis of our own development.



PILLAR 2 – PRECISE TESTING OF SPARE PARTS

Each spare part is checked and thoroughly tested so as to ensure that when in use, you can achieve the maximum quality of work with long service life. During demanding tests, we liaise with Czech universities, research institutes and laboratories that belong to the European elite in this field. In development, we make use of the long-term experience of agricultural experts.



PILLAR 3 – CONVENIENT ORDERING SYSTEM

You can easily order spare parts for your machine from your dealer. For the clarity of spare parts on all our machines, we use an online catalog that your dealer has access to and can easily recognize your spare parts.

TELEPHONE HOLDER | BEDNAR ASSISTANCE

+ 420 725 870 495



PILLAR 4 – SOPHISTICATED DISTRIBUTION

We realise the importance of timely delivery of spare parts to your place. That is why we use a complex network of world-leading forwarding companies for distribution that deliver your order from our central spare parts warehouse in Rychnov nad Kněžnou (Czech Republic) safely and, most importantly, in due time.



Our machines are manufactured as a whole where each single part supports the function of the other. Therefore make sure that only original BEDNAR spare parts are used in your machine, which ensures maximum quality of the work. These spare parts undergo a thorough check and demanding tests. Only then is it possible to meet the high demands placed on their quality and service life.

As manufacturers of agricultural machines, we naturally realise that in agriculture time management plays one of the most crucial roles. Therefore throughout the year we invest in the system of production, record keeping and dispatching of our spare parts so as to be able to better adjust our deliveries to your needs. Careful tracking of deliveries and checking compliance with deadlines is a guarantee of ensuring customer satisfaction.



REASONS WHY TO WANT A BEDNAR ORIGINAL SPARE PART

- They are of superior quality.
- They are an exact fit.
- They have been thoroughly tested.
- They provide maximum reliability.
- They have a long service-life.
- They are identical to the original parts.
- They underwent demanding tests.
- They are available from all authorised dealers.
- Each dealer and service technician gets regular training so as to be fully qualified.
- Support from the professional team in the BEDNAR central warehouse.
- Both the machine and spare parts are covered by guarantee.

*Only original
BEDNAR
spare parts
meet the
highest
demands on
quality and
durability.*

SUPPORT

A team of trained staff responsible for orders, expeditions, information, and billing of spare parts is responsible for everything going smoothly. They are available to you at: share@bednarfmt.com. Dealers and service staff of our authorized resellers are regularly familiar with all of our innovations and always provide you with the necessary information.



QUALITY CONTROL

Each part that is used in serial production has undergone demanding tests. From laboratory testing looking into the quality of material, to long-term testing during work under various difficult conditions. Only then can we be sure that BEDNAR original spare parts meet your expectations.



SYSTEM OF CHECKING SUB-SUPPLIERS

BEDNAR purchases most spare parts from leading European sub-suppliers who specialise in the production of consumable parts for machines. Such suppliers are carefully selected so as to meet our high standards in all areas and also to deliver parts that exactly comply with the order documentation. On every occasion before any goods are accepted in to our BEDNAR Central Warehouse, the consignment is thoroughly checked and tested. Only then is it possible to ensure that you receive high-quality spare parts.

TINES LONG LIFE



STRIEGEL-PRO PE, PN
01364391 – Long Life
Tine (1 pcs)

GAMMA POINTS LONG LIFE



SWIFTER SN, SO, SE, SM
KM060416 – Gamma point (1 pcs)



“I had a chance to test various chisels for the Terraland, including “Long Life”. These chisels proved to be the best. They lasted 6 times longer than regular chisels. They are necessary for effective farming in the dry season. I recommend using them for their undisputable benefits, such as quality of soil profile processing and less time spent on maintenance.”

Zdeněk Krones, Operator

Agrona Staré Město, a. s.
Staré Město, Svitavy, Czech Republic
3 000 ha

CONSULTANCY

original spare parts



HOW TO BE MOST EFFICIENT (ADJUSTMENT OF MACHINES, PROFESSIONAL MAINTENANCE)

If you schedule the machine maintenance properly, you can avoid many complications during the season that could hinder the performance of your machine at a time when you need it most. Therefore check your machine and particularly the working parts regularly. Comply with the procedures described in the operation manual for the machine.

Scheduling of maintenance brings many benefits:

- You achieve maximum performance at the right time, when you need it.
- You avoid unexpected downtime at a time when there are good conditions for the machine to be working.
- You reduce the costs connected with scheduled maintenance, off-season purchases of consumables under favourable conditions.
- You save money on transport of spare parts as you can use an extended mode of delivery.



TIPS ON MACHINE MAINTENANCE AND MACHINE ADJUSTMENT

Our team of service technicians is always there for you. We will gladly give you advice on how to best adjust your machine to your full satisfaction.

E-mail:
service@bednarfmt.com

Servis hot-line:
+420 606 423 429

STRIEGEL-PRO

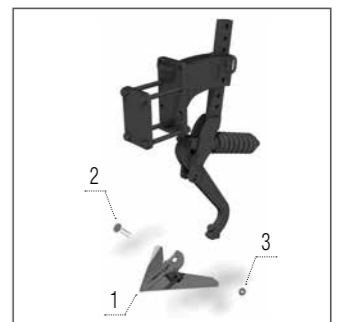
straw harrow



STRIEGEL-PRO PN



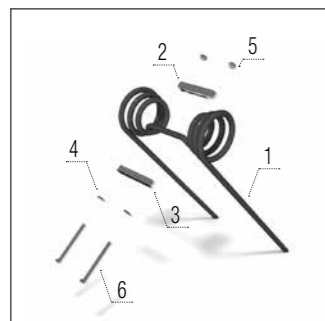
STRIEGEL-PRO PE



Track eradicator share

Model PE

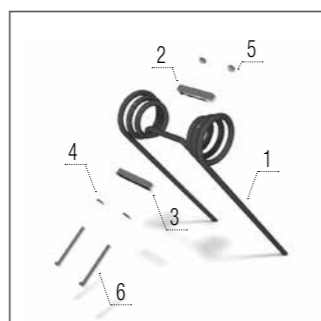
- 1 – KM060086 SHARE1 pcs
- 2 – KM000616 SCREW.....1 pcs
- 3 – KM000296 NUT1 pcs



Tine

Model PE

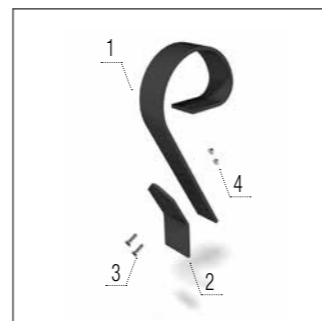
- 1 – KM130010 TINE 1 pcs
- 2 – 00636049 WASHER 1 pcs
- 3 – 00622658 WASHER 1 pcs
- 4 – KM000056 WASHER 2 pcs
- 5 – KM000325 NUT 2 pcs
- 6 – KM000011 SCREW 2 pcs



Tine – LONG LIFE

Model PN, PE

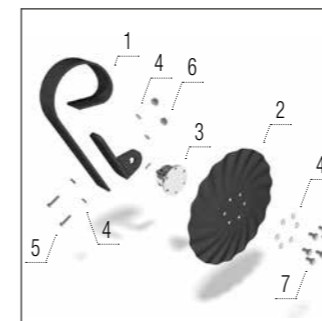
- 1 – 01364391 TINE..... 1 pcs
- 2 – 00636049 WASHER..... 1 pcs
- 3 – 00622658 WASHER..... 1 pcs
- 4 – KM000056 WASHER..... 2 pcs
- 5 – KM000325 NUT 2 pcs
- 6 – KM000011 SCREW..... 2 pcs



Crushbar paddle

Model PE

- 1 – KM060225 HOLDER 1 pcs
- 2 – KM060136 METAL SHEEL 1 pcs
- 3 – KM000851 SCREW 2 pcs
- 4 – KM000848 NUT 2 pcs



Coulter

Model PE

- 1 – KM060225 HOLDER.....1 pcs
- 2 – KM060430 DISC1 pcs
- 3 – KM040146 HUB.....1 pcs
- 4 – KM000024 WASHER.....10 pcs
- 5 – KM000467 SCREW.....2 pcs
- 6 – KM000154 NUT2 pcs
- 7 – KM000879 SCREW.....6 pcs

SPARE PART NUMBER

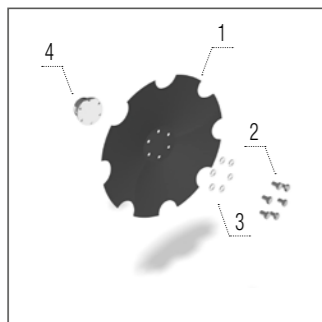
STRIEGEL-PRO		PN 6000	PN 7500	PN 9000	PE 12000
Tine	pcs	50	60	75	120
Crushbar paddle	pcs	—	—	—	36
Coulter	pcs	20	24	30	36
Track eradicator share	pcs	—	—	—	8

SWIFTERDISC

disc cultivator

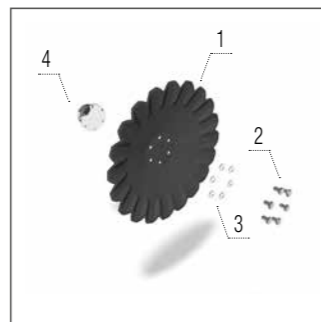


SWIFTERDISC XN



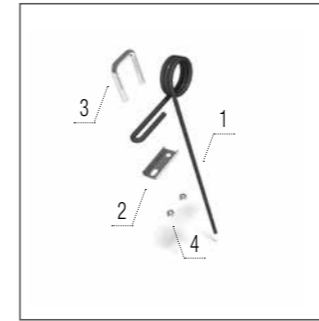
Serrated disc
520 x 5 mm

- Models XN, XN_R**
- 1 – KM060304 DISC1 pcs
 - 2 – KM000930 SCREW.....6 pcs
 - 3 – KM000963 WASHER.....6 pcs
 - 4 – KM040146 HUB1 pcs



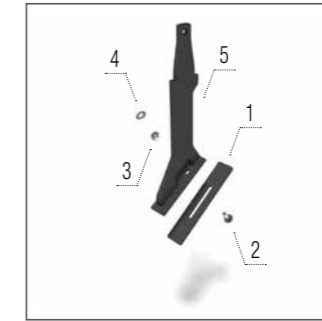
A-disc
520 x 5 mm

- Models XN, XN_R**
- 1 – KM060305 DISC1 pcs
 - 2 – KM000930 SCREW.....6 pcs
 - 3 – KM000963 WASHER.....6 pcs
 - 4 – KM040146 HUB1 pcs



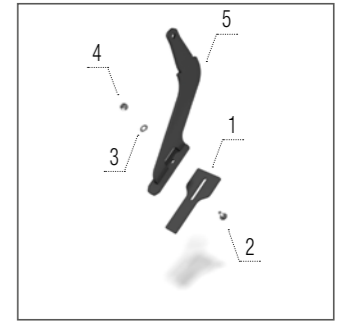
Harrow
tine

- Model XN**
- 1 – KM030007 TINE1 pcs
 - 2 – 00002940 WASHER.....1 pcs
 - 3 – KM380001 STIRRUP.....1 pcs
 - 4 – KM000154 NUT2 pcs



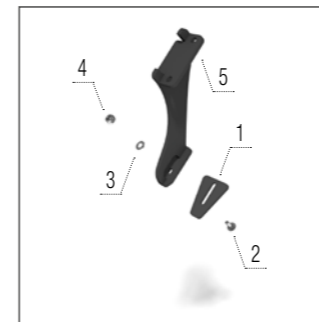
Scraper
V-ring roller

- Models XN, XN_R**
- 1 – 00037392 SCRAPER1 pcs
 - 2 – KM000395 SCREW.....1 pcs
 - 3 – KM000081 WASHER.....1 pcs
 - 4 – KM000155 NUT1 pcs
 - 5 – 00000754 HOLDER.....1 pcs



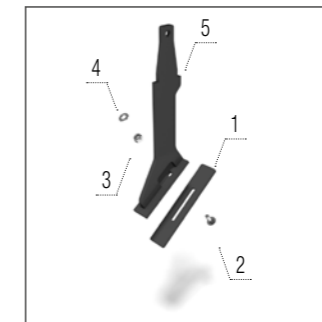
Scraper
Steel ring packer

- Models XN, XN_R**
- 1 – 00029738 SCRAPER1 pcs
 - 2 – KM000395 SCREW.....1 pcs
 - 3 – KM000081 WASHER.....1 pcs
 - 4 – KM000155 NUT1 pcs
 - 5 – 00046596 HOLDER.....1 pcs



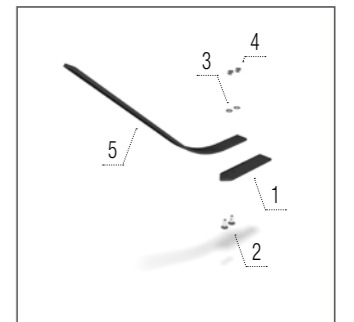
Scraper
Roadpacker

- Models XN, XN_R**
- 1 – 00023579 SCRAPER1 pcs
 - 2 – KM000395 SCREW.....1 pcs
 - 3 – KM000081 WASHER.....1 pcs
 - 4 – KM000155 NUT1 pcs
 - 5 – 00046816 HOLDER.....1 pcs



Scraper
U-ring

- Models XN, XN_R**
- 1 – 00037392 SCRAPER1 pcs
 - 2 – KM000395 SCREW.....1 pcs
 - 3 – KM000081 WASHER.....1 pcs
 - 4 – KM000155 NUT1 pcs
 - 5 – 00000754 HOLDER.....1 pcs



Scraper
Spring packer

- Models XN, XN_R**
- 1 – 00712418 SCRAPER1 pcs
 - 2 – KM000395 SCREW.....2 pcs
 - 3 – KM000081 WASHER.....2 pcs
 - 4 – KM000155 NUT2 pcs
 - 5 – 00713124 SPRING.....1 pcs

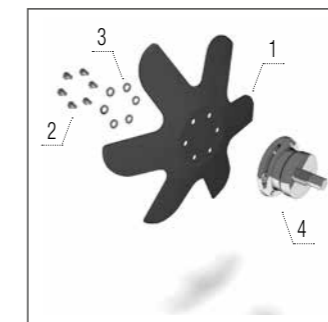
SPARE PART NUMBER

SWIFTERDISC		XN 3000	XN 3500	XN 4000R	XN 4000	XN 5000
Serrated disc 520 x 5 mm	pcs	22/24	26/28	30/32	30	40
A-disc 520 x 5 mm	pcs	22/24	26/28	30/32	30	40
Harrow tine	pcs	22	26	30	28	36
Scraper V-ring roller	pcs	22	24	28	30	38
Scraper Steel ring packer	pcs	23	26	30	32	40
Scraper Roadpacker	pcs	23	26	30	32	40
Scraper U-ring	pcs	16	18	22	24	28
Scraper Spring packer	pcs	13	14	18	18	22

SWIFTERDISC

disc cultivator

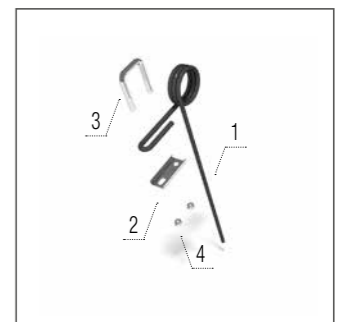
SWIFTERDISC XO_F



Levelling disc
– right

Models XO_F, XE

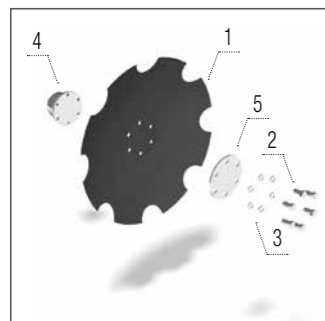
- 1 – KM060250 DISC1 pcs
- 2 – KM000489 SCREW.....6 pcs
- 3 – KM000056 WASHER.....6 pcs
- 4 – KM040146 HUB1 pcs



Harrow
tine

Model XO_F

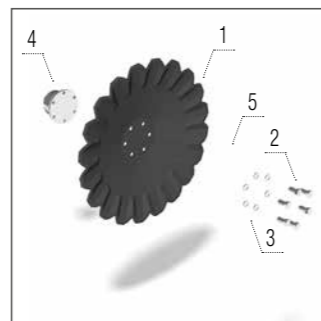
- 1 – KM030007 TINE.....1 pcs
- 2 – 00002940 WASHER.....1 pcs
- 3 – KM380001 STIRRUP1 pcs
- 4 – KM000154 NUT2 pcs



Serrated disc
520 × 5 mm

Models XO_F, XE

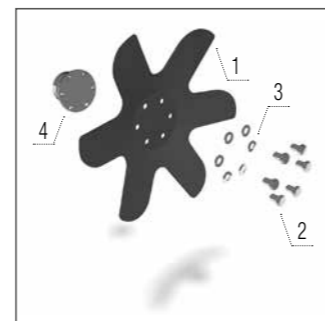
- 1 – KM060304 DISC1 pcs
- 2 – KM000930 SCREW.....6 pcs
- 3 – KM000963 WASHER.....6 pcs
- 4 – KM040146 HUB1 pcs
- 5 – 00913027 WASHER.....1 pcs



A-disc
520 × 5 mm

Models XO_F, XE

- 1 – KM060305 DISC1 pcs
- 2 – KM000930 SCREW.....6 pcs
- 3 – KM000963 WASHER.....6 pcs
- 4 – KM040146 HUB1 pcs
- 5 – 00913027 WASHER.....1 pcs



Levelling disc
– left

Models XO_F, XE

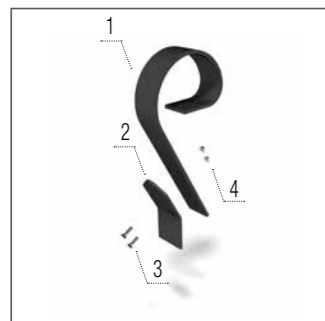
- 1 – KM060251 DISC1 pcs
- 2 – KM000489 SCREW.....6 pcs
- 3 – KM000056 WASHER.....6 pcs
- 4 – KM040146 HUB1 pcs

SPARE PART NUMBER

SWIFTERDISC		XO 4000 F	XO 4500 F	XO 5000 F	XO 6000 F	XO 8000 F
Serrated disc 520 × 5 mm	pcs	30	34	38	46	58
A-disc 520 × 5 mm	pcs	30	34	38	46	58
Levelling disc – left	pcs	1	1	1	1	1
Levelling disc – right	pcs	1	1	1	1	1
Crushbar paddle	pcs	14	16	20	22	28
Crushbar paddle (machine equipped with support wheels)	pcs	12	12	14	18	24
Harrow tine	pcs	31	33	37	43	55
Scraper V-ring roller	pcs	30	34	38	46	56
Scraper Steel ring packer	pcs	33	37	41	49	59
Scraper Roadpacker	pcs	33	37	41	49	59
Scraper Spring packer	pcs	19	21	23	27	33

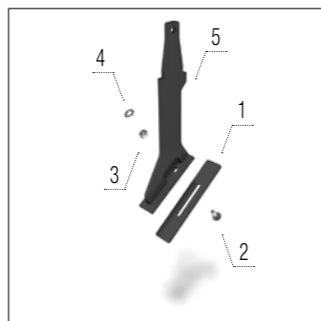


SWIFTERDISC XE



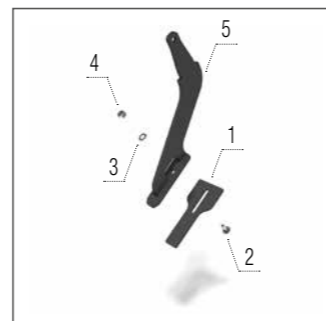
**Paddle
Crushbar**

- Models XO_F, XE**
- 1 – KM060349 HOLDER1 pcs
 - 2 – KM060369 METAL SHEEL.....1 pcs
 - 3 – KM000851 SCREW.....2 pcs
 - 4 – KM000848 NUT2 pcs



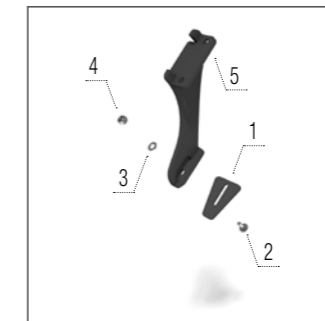
**Scraper
V-ring roller**

- Models XO_F, XE**
- 1 – 00037392 SCRAPER1 pcs
 - 2 – KM000395 SCREW.....1 pcs
 - 3 – KM000081 WASHER.....1 pcs
 - 4 – KM000155 NUT1 pcs
 - 5 – 00000754 HOLDER.....1 pcs



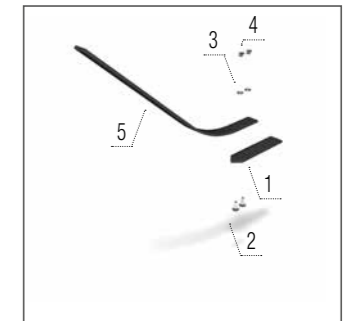
**Scraper
Steel ring packer**

- Models XO_F, XE**
- 1 – 00029738 SCRAPER1 pcs
 - 2 – KM000395 SCREW.....1 pcs
 - 3 – KM000081 WASHER.....1 pcs
 - 4 – KM000155 NUT1 pcs
 - 5 – 00046596 HOLDER1 pcs



**Scraper
Roadpacker**

- Models XO_F, XE**
- 1 – 00023579 SCRAPER1 pcs
 - 2 – KM000395 SCREW.....1 pcs
 - 3 – KM000081 WASHER.....1 pcs
 - 4 – KM000155 NUT1 pcs
 - 5 – 00046816 HOLDER1 pcs



**Scraper
Spring packer**

- Model XO_F**
- 1 – 00712418 SCRAPER1 pcs
 - 2 – KM000395 SCREW.....2 pcs
 - 3 – KM000081 WASHER.....2 pcs
 - 4 – KM000155 NUT2 pcs
 - 5 – 00713124 SPRING1 pcs

SPARE PART NUMBER

SWIFTERDISC		XE 10000	XE 12000	XE 14000
Serrated disc 520 × 5 mm	pcs	78	94	112
A-disc 520 × 5 mm	pcs	78	94	112
Levelling disc – left	pcs	1	1	—
Levelling disc – right	pcs	1	1	—
Crushbar paddle	pcs	33	41	—
Crushbar paddle (machine equipped with support wheels)	pcs	—	—	43
Scraper V-ring roller	pcs	74	90	100
Scraper Steel ring packer	pcs	78	94	—
Scraper Roadpacker	pcs	78	94	—

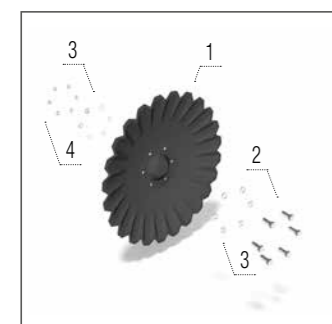
SWIFTERDISC

disc cultivator

ATLAS AN

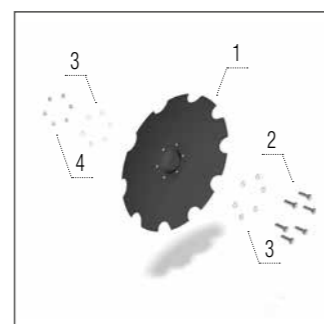


ATLAS AO



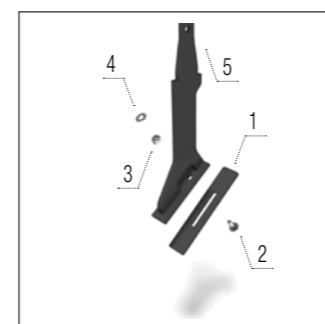
A-disc
620 × 6 mm

- Models AO, AM**
- 1 – KM060297 DISC1 pcs
 - 2 – KM000372 SCREW.....6 pcs
 - 3 – KM000056 WASHER.....12 pcs
 - 4 – KM000325 NUT6 pcs



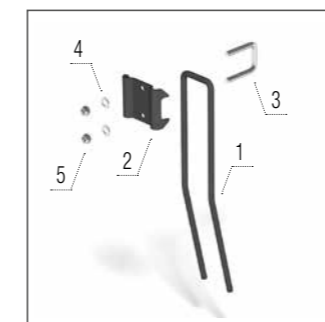
Serrated disc
620 × 6 mm

- Models AO, AM**
- 1 – KM060306 DISC1 pcs
 - 2 – KM000372 SCREW.....6 pcs
 - 3 – KM000056 WASHER.....12 pcs
 - 4 – KM000325 NUT6 pcs



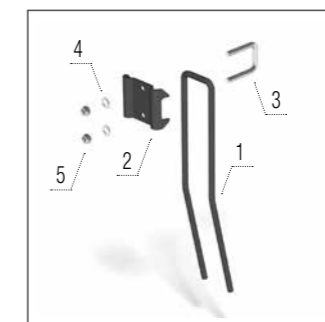
Scraper
U-ring roller

- Model AO**
- 1 – 00037392 SCRAPER1 pcs
 - 2 – KM000395 SCREW.....1 pcs
 - 3 – KM000081 WASHER.....1 pcs
 - 4 – KM000155 NUT1 pcs
 - 5 – 00000754 HOLDER1 pcs



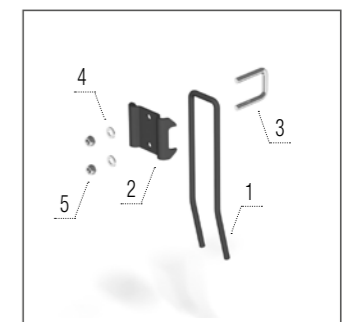
Tine harrow
in front

- Model AO**
- 1 – KM210003 TINE1 pcs
 - 2 – KM210004 PLAQUE1 pcs
 - 3 – KM380001 STIRRUP.....1 pcs
 - 4 – KM000056 WASHER.....2 pcs
 - 5 – KM000154 NUT2 pcs



Tine harrow in front
of single packer

- Model AO**
- 1 – KM210003 TINE1 pcs
 - 2 – KM210004 PLAQUE1 pcs
 - 3 – KM380001 STIRRUP1 pcs
 - 4 – KM000056 WASHER.....2 pcs
 - 5 – KM000154 NUT2 pcs



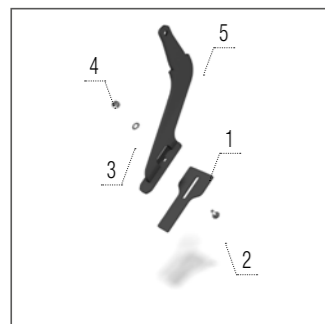
Tine harrow in front
of double packer

- Model AO**
- 1 – KM210006 TINE1 pcs
 - 2 – KM210004 PLAQUE1 pcs
 - 3 – KM380001 STIRRUP1 pcs
 - 4 – KM000056 WASHER.....2 pcs
 - 5 – KM000154 NUT2 pcs

SPARE PART NUMBER

ATLAS		AN 3000	AO 4000	AO 4500	AO 5000	AO 6000
Serrated disc 620 × 6 mm	pcs	30	34	38	46	58
A-disc 620 × 6 mm	pcs	30	34	38	46	58
Scraper V-ring roller	pcs	22	30	34	38	46
Scraper Steel ring packer	pcs	–	32	36	40	48
Scraper Roadpacker	pcs	14	16	20	22	28
Scraper Cutpack roller	pcs	12	12	14	18	24
Scraper Spring roller	pcs	31	33	37	43	55
Scraper U-ring roller	pcs	30	34	38	46	56
Tine harrow in front	pcs	33	37	41	49	59
Tine harrow in front of single packer	pcs	33	37	41	49	59
Tine harrow in front of double packer	pcs	19	21	23	27	33

ATLAS AM



**Scraper
Steel ring packer**

Models AO, AM

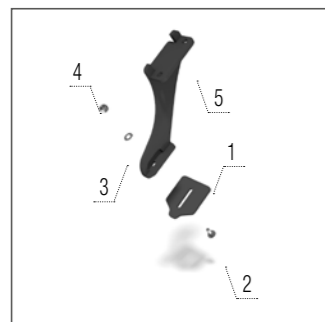
- 1 – 00029738 SCRAPER.....1 pcs
- 2 – KM000395 SCREW.....1 pcs
- 3 – KM000081 WASHER.....1 pcs
- 4 – KM000155 NUT1 pcs
- 5 – 00046596 HOLDER.....1 pcs



**Scraper
Roadpacker**

Models AO, AM

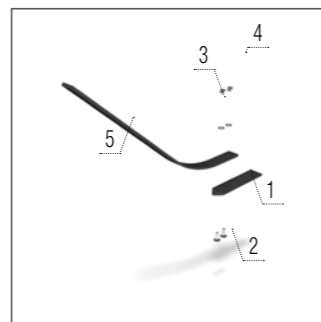
- 1 – 00023579 SCRAPER.....1 pcs
- 2 – KM000395 SCREW.....1 pcs
- 3 – KM000081 WASHER.....1 pcs
- 4 – KM000155 NUT1 pcs
- 5 – 00046816 HOLDER.....1 pcs



**Scraper
– Cutpack roller**

Model AM

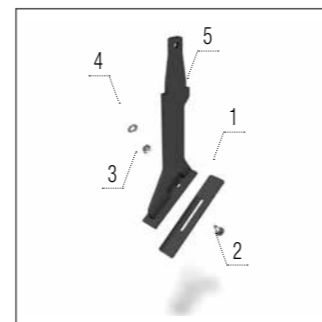
- 1 – 00830280 SCRAPER.....1 pcs
- 2 – KM000395 SCREW.....1 pcs
- 3 – KM000081 WASHER.....1 pcs
- 4 – KM000155 NUT1 pcs
- 5 – 00887377 HOLDER.....1 pcs



**Scraper
– Spring roller**

Model AM

- 1 – 00712418 SCRAPER.....1 pcs
- 2 – KM000395 SCREW.....2 pcs
- 3 – KM000081 WASHER.....2 pcs
- 4 – KM000155 NUT2 pcs
- 5 – 00713124 SPRING.....1 pcs



**Scraper
V-ring roller**

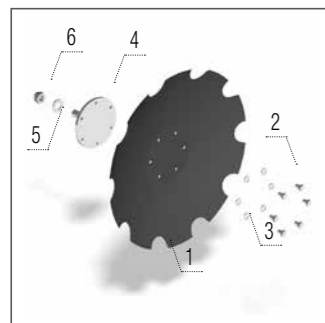
Models AO, AM

- 1 – 00037392 SCRAPER.....1 pcs
- 2 – KM000395 SCREW.....1 pcs
- 3 – KM000081 WASHER.....1 pcs
- 4 – KM000155 NUT1 pcs
- 5 – 00000754 HOLDER.....1 pcs

SPARE PART NUMBER

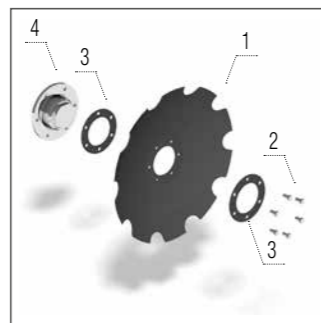
ATLAS		AM 10000	AM 12000
Serrated disc 620 × 6 mm	pcs	80	96
A-disc 620 × 6 mm	pcs	80	96
Scraper V-ring roller	pcs	76	92
Scraper Steel ring packer	pcs	80	96
Scraper Roadpacker	pcs	80	96
Scraper Cutpack roller	pcs	80	–
Scraper Spring roller	pcs	46	56
Scraper U-ring roller	pcs	–	–
Tine harrow in front	pcs	–	–
Tine harrow in front of single packer	pcs	–	–
Tine harrow in front of double packer	pcs	–	–

ATLAS AO_L



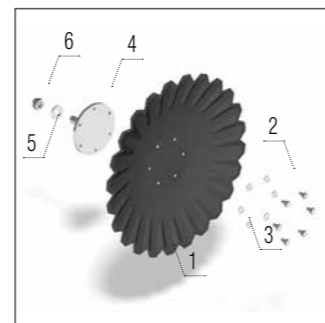
**Serrated disc
620 × 6 mm**

- Model AO_L**
- 1 – KM060330 DISC 1 pcs
 - 2 – KM000489 SCREW..... 6 pcs
 - 3 – KM000056 WASHER..... 6 pcs
 - 4 – KM040170 HUB 1 pcs
 - 5 – KM000989 WASHER..... 1 pcs
 - 6 – KM000201 NUT 1 pcs



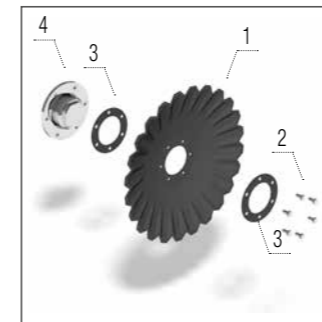
**Serrated disc to the
central unit
620×6 mm**

- Model AO_L**
- 1 – KM060368 DISC 1 pcs
 - 2 – KM000930 SCREW..... 6 pcs
 - 3 – 00774293 WASHER..... 2 pcs
 - 4 – 00711247 BEARING..... 1 pcs



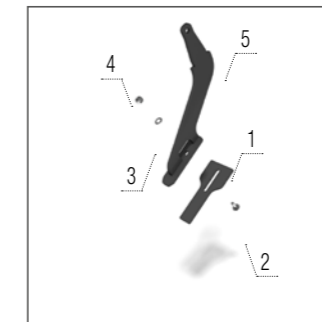
**A-disc
620 × 6 mm**

- Model AO_L**
- 1 – KM060371 DISC 1 pcs
 - 2 – KM000489 SCREW..... 6 pcs
 - 3 – KM000056 WASHER..... 6 pcs
 - 4 – KM040170 HUB 1 pcs
 - 5 – KM000989 WASHER..... 1 pcs
 - 6 – KM000201 NUT 1 pcs



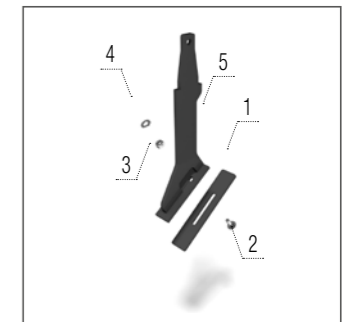
**A-disc to the central
unit
620 × 6 mm**

- Model AO_L**
- 1 – KM060372 DISC 1 pcs
 - 2 – KM000930 SCREW..... 6 pcs
 - 3 – 00774293 WASHER..... 2 pcs
 - 4 – 00711247 BEARING..... 1 pcs



**Scraper
Steel ring packer**

- Model AO_L**
- 1 – 00029738 SCRAPER 1 pcs
 - 2 – KM000395 SCREW..... 1 pcs
 - 3 – KM000081 WASHER..... 1 pcs
 - 4 – KM000155 NUT 1 pcs
 - 5 – 00046596 HOLDER..... 1 pcs



**Scraper
V-ring roller**

- Model AO_L**
- 1 – 00037392 SCRAPER 1 pcs
 - 2 – KM000395 SCREW..... 1 pcs
 - 3 – KM000081 WASHER..... 1 pcs
 - 4 – KM000155 NUT 1 pcs
 - 5 – 00000754 HOLDER..... 1 pcs

SPARE PART NUMBER

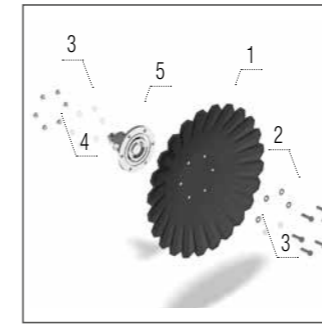
ATLAS	AO 4000 L	AO 5000 L	AO 6000 L	AO 8000 L
Serrated disc 620 × 6 mm	pcs 30	38	46	58
A-disc 620 × 6 mm	pcs 30	38	46	58
Serrated disc to the central unit 620 × 6 mm	pcs 2	2	2	2
A-disc to the central unit 620 × 6 mm	pcs 2	2	2	2
Scraper V-ring roller	pcs 30	38	44	56
Scraper Steel ring packer	pcs 33	41	47	—
Scraper Roadpacker	pcs 33	41	47	—

ATLAS

disc cultivator

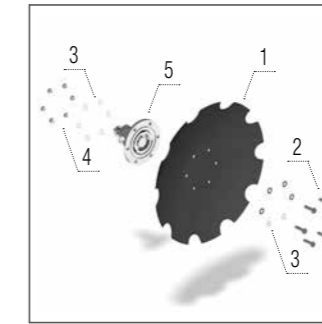


ATLAS HO



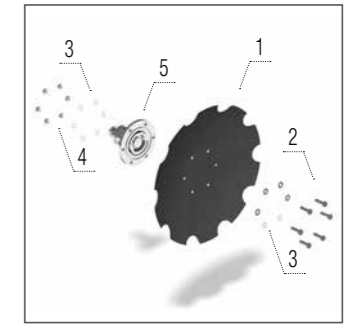
A-disc
660 × 6 mm

- Model HO**
- 1 – KM060344 DISC1 pcs
 - 2 – KM000429 SCREW.....6 pcs
 - 3 – KM000242 WASHER.....12 pcs
 - 4 – KM000685 NUT6 pcs
 - 5 – 00577697 BEARING.....1 pcs



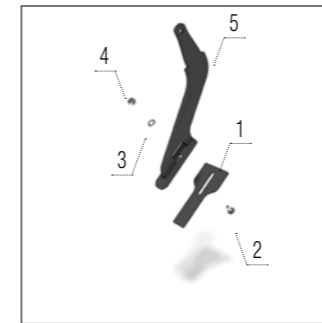
Serrated disc
660 × 6 mm

- Model HO**
- 1 – KM060314 DISC1 pcs
 - 2 – KM000429 SCREW6 pcs
 - 3 – KM000242 WASHER12 pcs
 - 4 – KM000685 NUT6 pcs
 - 5 – 00577697 BEARING1 pcs



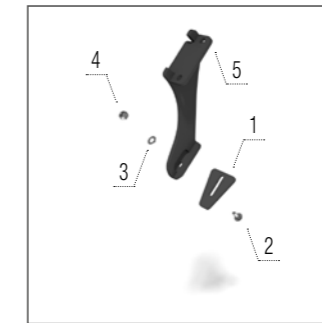
Serrated disc
620 × 6 mm

- Model HO**
- 1 – KM060358 DISC1 pcs
 - 2 – KM000429 SCREW6 pcs
 - 3 – KM000242 WASHER12 pcs
 - 4 – KM000685 NUT6 pcs
 - 5 – 00577697 BEARING1 pcs



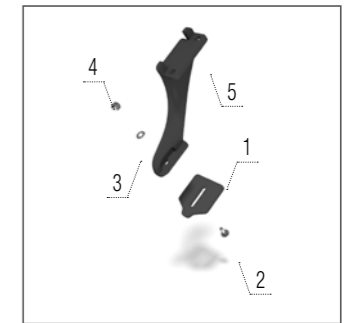
Scraper
Steel ring packer

- Model HO**
- 1 – 00029738 SCRAPER1 pcs
 - 2 – KM000395 SCREW.....1 pcs
 - 3 – KM000081 WASHER.....1 pcs
 - 4 – KM000155 NUT1 pcs
 - 5 – 00046596 HOLDER.....1 pcs



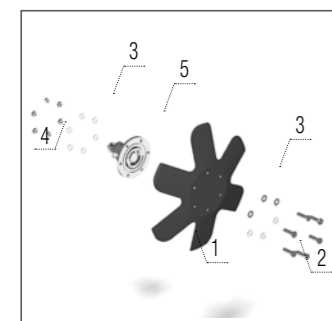
Scraper
Roadpacker

- Model HO**
- 1 – 00023579 SCRAPER1 pcs
 - 2 – KM000395 SCREW.....1 pcs
 - 3 – KM000081 WASHER.....1 pcs
 - 4 – KM000155 NUT1 pcs
 - 5 – 00046816 HOLDER.....1 pcs



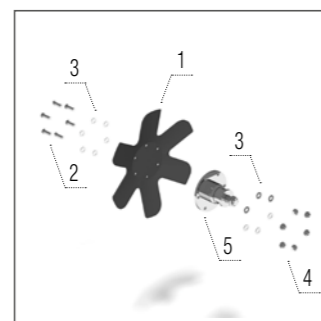
Scraper
Cutpack packer

- Model HO**
- 1 – 00830280 SCRAPER1 pcs
 - 2 – KM000395 SCREW.....1 pcs
 - 3 – KM000081 WASHER.....1 pcs
 - 4 – KM000155 NUT1 pcs
 - 5 – 00887377 HOLDER.....1 pcs



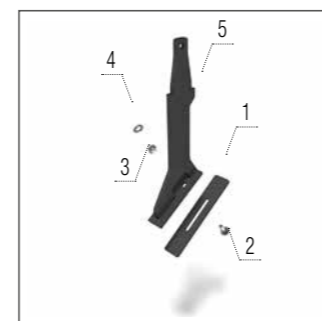
Levelling disc
– left

- Model HO**
- 1 – KM060358 DISC1 pcs
 - 2 – KM001066 SCREW.....6 pcs
 - 3 – KM000242 WASHER.....6 pcs
 - 4 – KM000685 NUT6 pcs
 - 5 – 00577697 BEARING.....1 pcs



Levelling disc
– right

- Model HO**
- 1 – KM060358 DISC1 pcs
 - 2 – KM001066 SCREW.....6 pcs
 - 3 – KM000242 WASHER.....6 pcs
 - 4 – KM000685 NUT6 pcs
 - 5 – 00577697 BEARING.....1 pcs



Scraper
V-ring roller

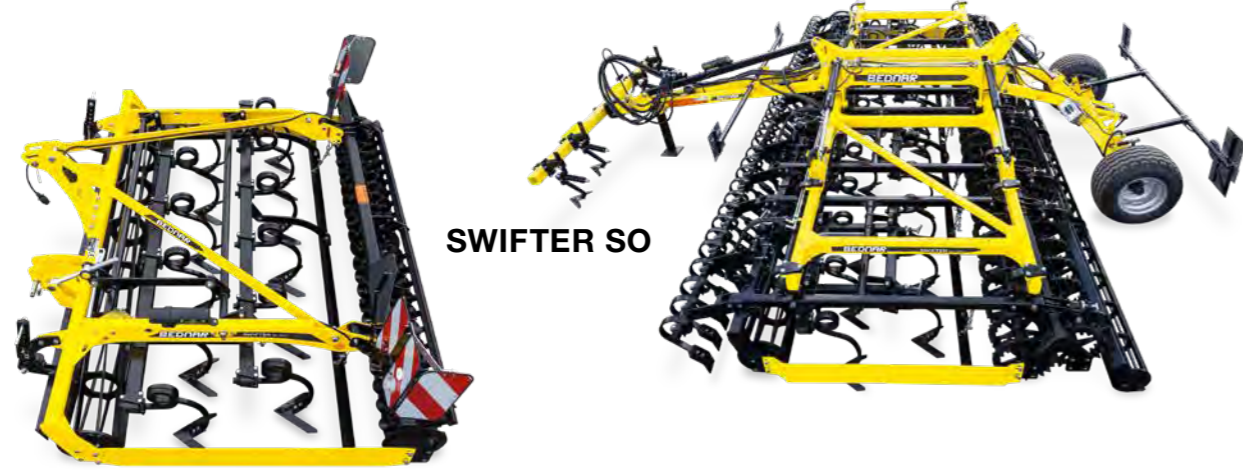
- Model HO**
- 1 – 00037392 SCRAPER1 pcs
 - 2 – KM000395 SCREW.....1 pcs
 - 3 – KM000081 WASHER.....1 pcs
 - 4 – KM000155 NUT1 pcs
 - 5 – 00000754 HOLDER.....1 pcs

SPARE PART NUMBER

ATLAS	HO 5000	HO 6000	HO 8000
Serrated disc 660 × 6 mm	pcs 30	38	46
A-disc 660 × 6 mm	pcs —	38	—
Serrated disc 620 × 6 mm	pcs —	—	2
Scraper V-ring roller	pcs 38	46	—
Levelling disc – left	pcs 1	1	—
Levelling disc – right	pcs 1	1	—
Scraper Steel ring packer	pcs 41	49	—
Scraper Roadpacker	pcs 41	49	—
Scraper Cutpack packer	pcs 41	49	57

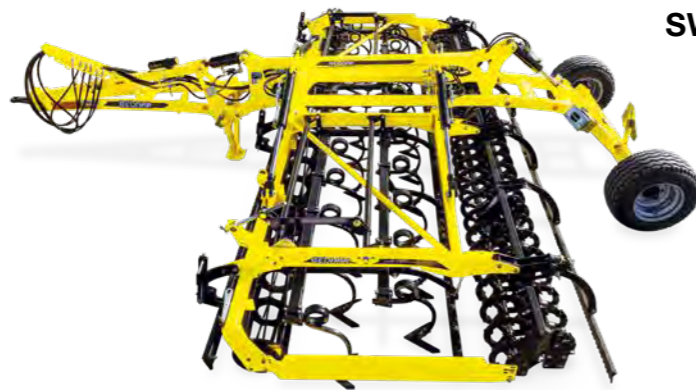
SWIFTER

seedbed cultivator

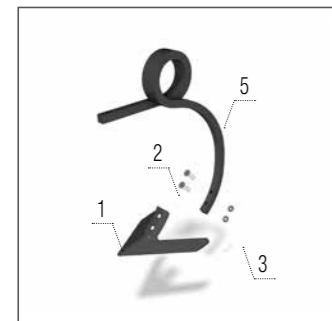


SWIFTER SO

SWIFTER SN

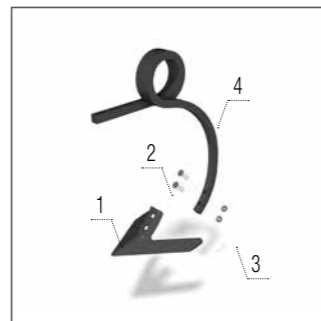


SWIFTER SO_F



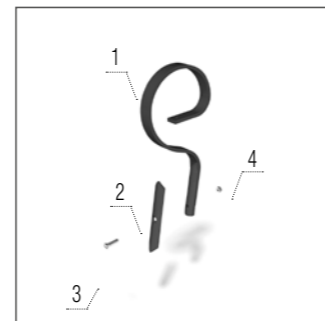
Share – right

- Models SN, SO, SO_F**
- 1 – KM060173 SHARE1 pcs
 - 2 – KM000903 SCREW.....2 pcs
 - 3 – KM000296 NUT2 pcs
 - 5 – KM060083 HOLDER1 pcs



Share – left

- Models SN, SO, SO_F**
- 1 – KM060173 SHARE1 pcs
 - 2 – KM000903 SCREW.....2 pcs
 - 3 – KM000296 NUT2 pcs
 - 4 – KM060084 HOLDER1 pcs



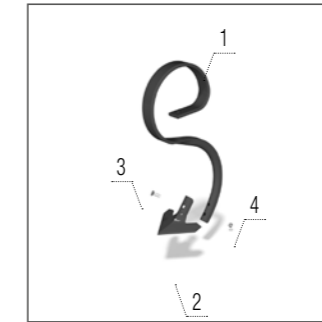
Gamma point

- Models SN, SO, SO_F**
- 1 – 00016973 HOLDER1 pcs
 - 2 – KM060142 CHISEL.....1 pcs
 - 3 – KM000221 SCREW.....1 pcs
 - 4 – KM000096 NUT1 pcs



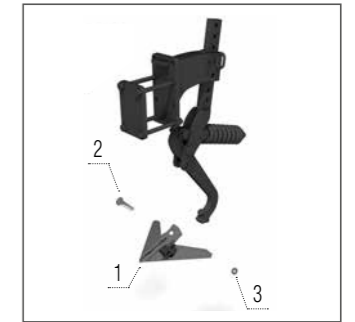
Gamma point
Long Life

- Models SN, SO, SO_F**
- 1 – 00016973 HOLDER1 pcs
 - 2 – KM060416 CHISEL.....1 pcs
 - 3 – KM000221 SCREW.....1 pcs
 - 4 – KM000096 NUT1 pcs



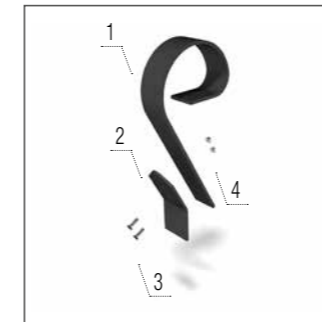
SB-Share

- Models SN, SO, SO_F**
- 1 – KM060254 HOLDER1 pcs
 - 2 – KM060288 SHARE1 pcs
 - 3 – KM000868 SCREW.....1 pcs
 - 4 – KM000848 NUT1 pcs



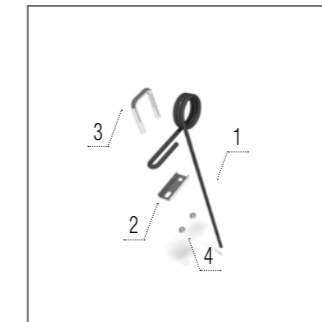
Track eradicator
share

- Models SO, SO_F**
- 1 – KM060086 SHARE1 pcs
 - 2 – KM000616 SCREW.....1 pcs
 - 3 – KM000296 NUT1 pcs



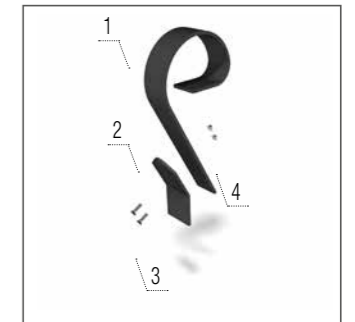
Paddle
Crushbar

- Model SO_F**
- 1 – KM060349 HOLDER1 pcs
 - 2 – KM060136 METAL SHEEL.....1 pcs
 - 3 – KM000851 SCREW.....2 pcs
 - 4 – KM000848 NUT2 pcs



Harrow
tine

- Model SO**
- 1 – KM030007 TINE1 pcs
 - 2 – 00002940 WASHER.....1 pcs
 - 3 – KM380001 STIRRUP.....1 pcs
 - 4 – KM000154 NUT2 pcs



Paddle
Crushbar

- Model SO**
- 1 – KM060189 HOLDER1 pcs
 - 2 – KM060136 METAL SHEEL.....1 pcs
 - 3 – KM000851 SCREW.....2 pcs
 - 4 – KM000848 NUT2 pcs

SPARE PART NUMBER

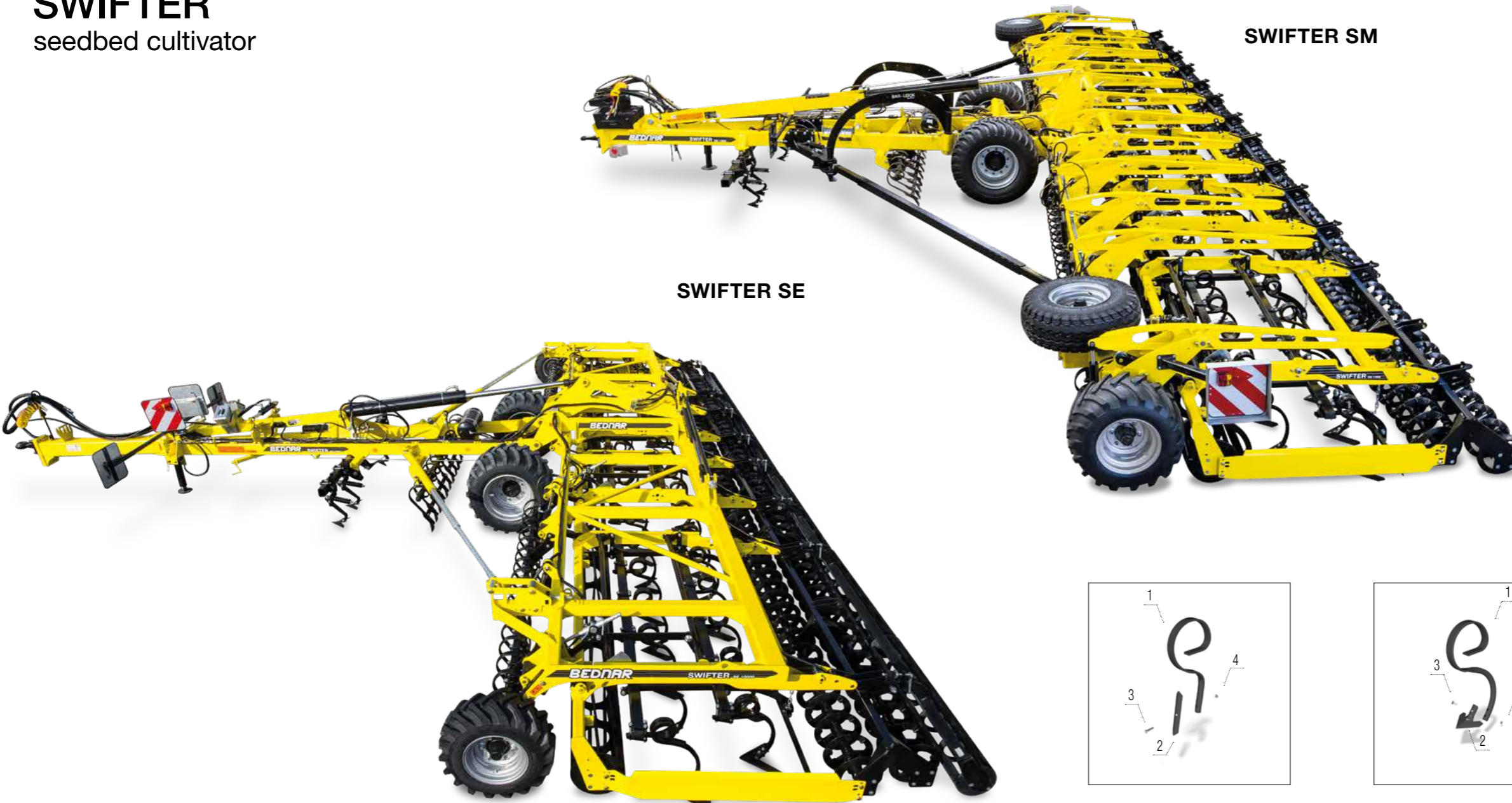
SWIFTER		SN 3000	SN 4000	SN 4000R	SN 5000
Share	pcs	12	16	16	20
Gamma point	pcs	28	40	40	48
SB-Share	pcs	22	—	—	36

SPARE PART NUMBER

SWIFTER		SO 4000 SO 4000 F	SO 5000 SO 5000 F SO 5000 PROFI	SO 6000 SO 6000 F SO 6000 PROFI	SO 7000 SO 7000 F	SO 8000 F
Track eradicator share	pcs	4/4	4/4/4	4/4/4	4/4	4
Track eradicator share (machine equipped telescopic track erradicator)	pcs	—/8	—/8/8	—/8/6	—/8	8
Share	pcs	16/16	20/20/20	24/24/24	28/28	32
Gamma point	pcs	40/36	48/46/44	60/55/54	70/66	75
SB-Share	pcs	—/31	36/37/38	42/45/45	52/51	59
Crushbar paddle	pcs	24/16	44/20/20	36/22/22	42/30	34
Harrow tine	pcs	28/28	36/36/34	42/—/—	50/55	34

SWIFTER

seedbed cultivator



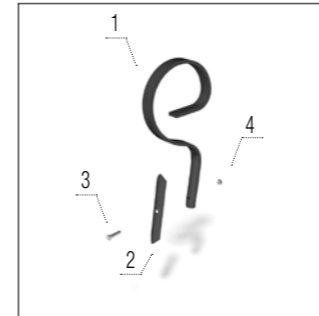
SWIFTER SE

SWIFTER SM



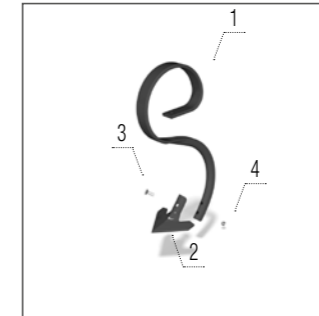
Gamma point Long Life

- Models SE, SM**
- 1 – 00016973 HOLDER 1 pcs
 - 2 – KM060416 CHISEL 1 pcs
 - 3 – KM000221 SCREW 1 pcs
 - 4 – KM000096 NUT 1 pcs



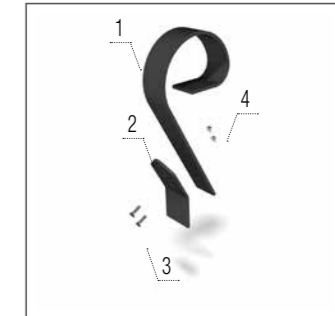
Gamma point

- Models SE, SM**
- 1 – 00016973 HOLDER 1 pcs
 - 2 – KM060142 CHISEL 1 pcs
 - 3 – KM000221 SCREW 1 pcs
 - 4 – KM000096 NUT 1 pcs



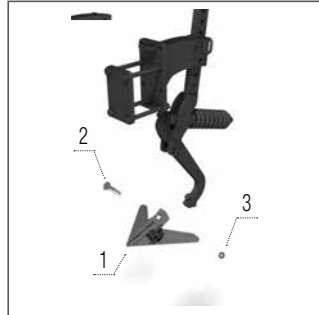
SB-Share

- Models SE, SM**
- 1 – KM060254 HOLDER 1 pcs
 - 2 – KM060288 SHARE 1 pcs
 - 3 – KM000868 SCREW 1 pcs
 - 4 – KM000848 NUT 1 pcs



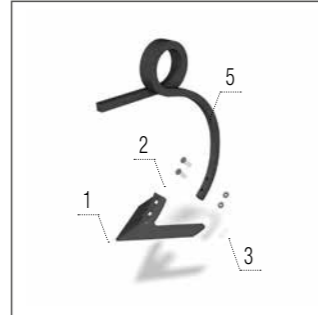
Paddle Crushbar

- Models SE, SM**
- 1 – KM060349 HOLDER 1 pcs
 - 2 – KM060369 METAL SHEEL 1 pcs
 - 3 – KM000851 SCREW 2 pcs
 - 4 – KM000848 NUT 2 pcs



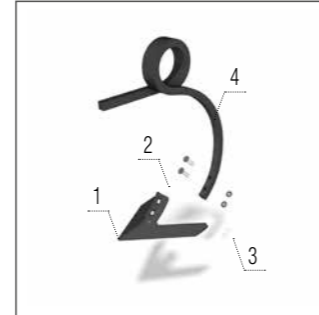
Track eradicator share

- Models SE, SM**
- 1 – KM060086 SHARE 1 pcs
 - 2 – KM000616 SCREW 1 pcs
 - 3 – KM000296 NUT 1 pcs



Share – right

- Models SN, SO, SO_F**
- 1 – KM060173 SHARE 1 pcs
 - 2 – KM000903 SCREW 2 pcs
 - 3 – KM000296 NUT 2 pcs
 - 5 – KM060083 HOLDER 1 pcs



Share – left

- Models SN, SO, SO_F**
- 1 – KM060173 SHARE 1 pcs
 - 2 – KM000903 SCREW 2 pcs
 - 3 – KM000296 NUT 2 pcs
 - 4 – KM060084 HOLDER 1 pcs

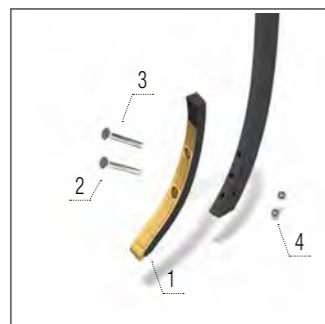
SPARE PART NUMBER

SWIFTER		SE 8000	SE 10000	SE 12000	SM 14000	SM 16000	SM 18000
Track eradicator share	pcs	4	4	4	4	4	4
Track eradicator share (machine equipped telescopic track erradicator)	pcs	8	8	8	8	8	8
Share	pcs	32	40	48	56	64	72
Gamma point	pcs	80	96	113	136	152	168
SB-Share	pcs	63	76	88	108	118	132
Crushbar paddle	pcs	27	33	41	53	101	64

FENIX FN/FN_L



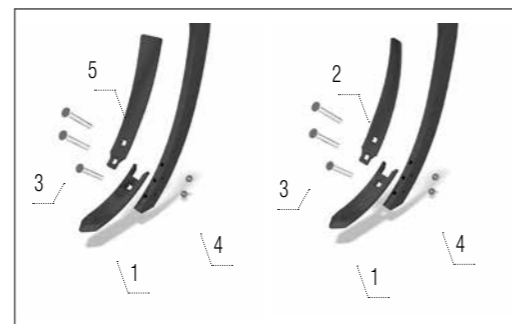
FENIX FN_RT



**Chisel 40 mm
LONG LIFE**

Models FN, FN_L, FN_RT, FO, FO_L

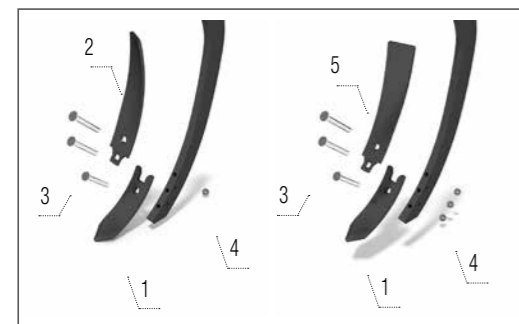
- 1 – KM060446 CHISEL (since 2019) 1 pcs
- 2 – KM000854 SCREW 1 pcs
- 3 – KM000906 SCREW 1 pcs
- 4 – KM000855 NUT 2 pcs



Chisel 60 mm

Models FN, FN_L, FN_RT, FO, FO_L

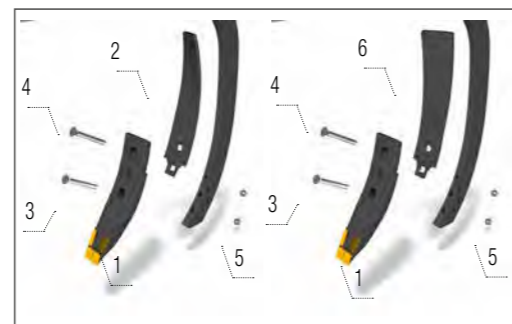
- 1 – KM060436 CHISEL 2 pcs
- 2 – KM060439 METAL DEFLECTOR RIGHT 1 pcs
- 3 – KM000854 SCREW 6 pcs
- 4 – KM000855 NUT 6 pcs
- 5 – KM060440 METAL DEFLECTOR LEFT 1 pcs



Chisel 80 mm

Models FN, FN_L, FN_RT, FO, FO_L

- 1 – KM060437 CHISEL 2 pcs
- 2 – KM060435 METAL DEFLECTOR RIGHT 1 pcs
- 3 – KM000854 SCREW 6 pcs
- 4 – KM000855 NUT 6 pcs
- 5 – KM060438 METAL DEFLECTOR LEFT 1 pcs



Chisel 80 mm LONG LIFE

Models FN, FN_L, FN_RT, FO, FO_L

- 1 – KM060402*/ KM060427** CHISEL 2 pcs
- 2 – KM060435 METAL DEFLECTOR RIGHT 1 pcs
- 3 – KM000854 SCREW 2 pcs
- 4 – KM000858 SCREW 2 pcs
- 5 – KM000855 NUT 4 pcs
- 6 – KM060438 METAL DEFLECTOR LEFT 1 pcs

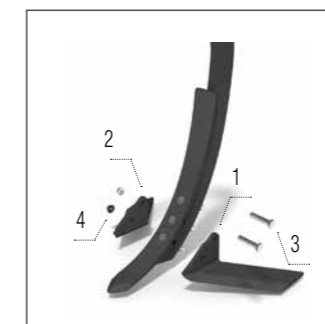
* to version: DA
** from version: DA



Share wing 125 mm

Models FN, FN_L, FN_RT, FO, FO_L

- 1 – KM060359†/KM060441* WING L 1 pcs
- 2 – KM060360†/KM060442* WING R 1 pcs
- 3 – KM000548†/KM000890* SCREW 2 pcs
- 4 – KM000296 NUT 2 pcs



Share wing 185 mm

Models FN, FN_L, FN_RT, FO, FO_L

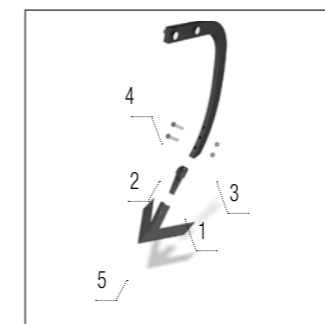
- 1 – KM060361†/KM060443* WING L 1 pcs
- 2 – KM060362†/KM060444* WING R 1 pcs
- 3 – KM000548†/KM000890* SCREW 2 pcs
- 4 – KM000296 NUT 2 pcs



**Share wing 185 mm
LONG LIFE**

Models FN, FN_L, FN_RT, FO, FO_L

- 1 – KM060316†/KM060447* WING L 1 pcs
- 2 – KM060317†/KM060448* WING P 1 pcs
- 3 – KM000890†/KM000986* ŠROUB 2 pcs
- 4 – KM000296 MATICE 2 pcs

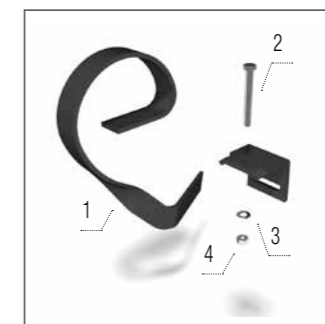


**Share Clip-On
280 mm**

Models FN, FN_L, FN_RT, FO, FO_L

- 1 – KM060153 WEDGE 1 pcs
- 2 – KM000436 SCREW 1 pcs
- 3 – KM000296 NUT 2 pcs
- 4 – KM000435 SCREW 1 pcs
- 5 – KM060053 SHARE 1 pcs

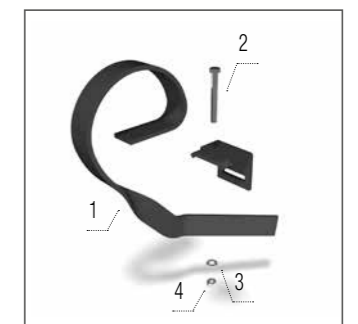
† until 2019
‡ since 2019



**Spring leveller
– right**

Models FN, FN_L

- 1 – KM060268 ARM 1 pcs
- 2 – KM000138 SCREW 2 pcs
- 3 – KM000006 WASHER 4 pcs
- 4 – KM000111 NUT 2 pcs

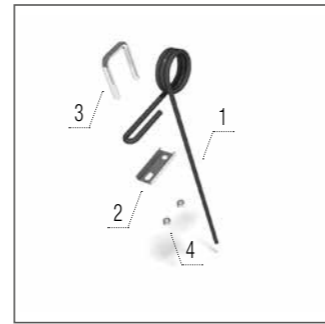


**Spring leveller
– left**

Models FN, FN_L

- 1 – KM060269 ARM 1 pcs
- 2 – KM000138 SCREW 2 pcs
- 3 – KM000006 WASHER 4 pcs
- 4 – KM000111 NUT 2 pcs

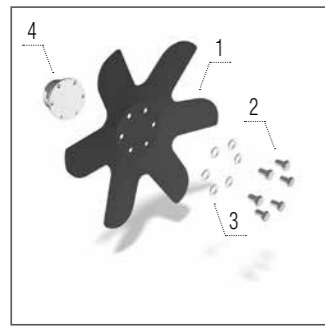
FENIX FO/FO_L



Tine harrow tines

Models FN, FN_L

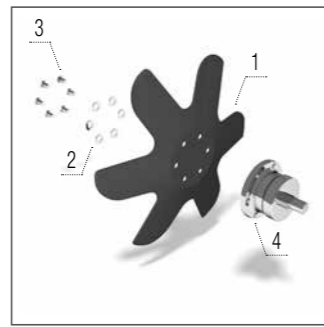
- 1 – KM030007 TINE1 pcs
- 2 – 00002940 WASHER.....1 pcs
- 3 – KM380001 STIRRUP.....1 pcs
- 4 – KM000154 NUT2 pcs



Levelling disc – right

Models FN, FN_L, FO, FO_L

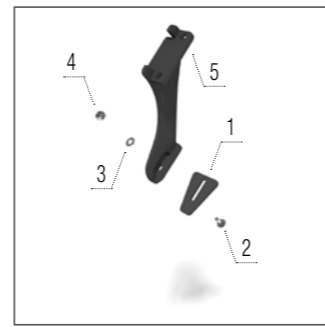
- 1 – KM060251 DISC1 pcs
- 2 – KM000463 SCREW.....6 pcs
- 3 – KM000056 WASHER.....6 pcs
- 4 – KM040146 HUB1 pcs



Levelling disc – left

Models FN, FN_L, FO, FO_L

- 1 – KM060250 DISC1 pcs
- 2 – KM000463 SCREW.....6 pcs
- 3 – KM000056 WASHER.....6 pcs
- 4 – KM040146 HUB1 pcs



Scraper Roadpacker

Models FN, FN_L, FN_RT, FO, FO_L

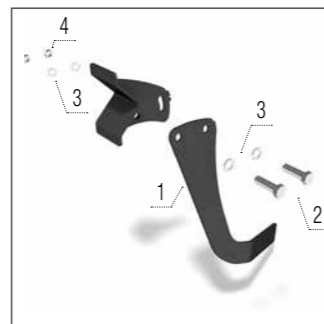
- 1 – 00023579 SCRAPER1 pcs
- 2 – KM000395 SCREW.....1 pcs
- 3 – KM000081 WASHER.....1 pcs
- 4 – KM000155 NUT1 pcs
- 5 – 00046816 HOLDER.....1 pcs



Spring leveller – right

Models FO, FO_L

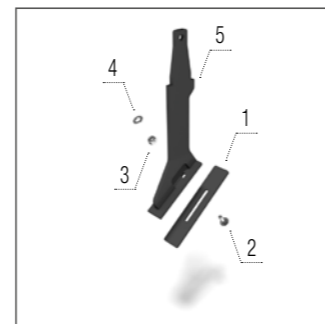
- 1 – 00662949 ARM.....1 pcs
- 2 – KM000138 SCREW.....2 pcs
- 3 – KM000006 WASHER.....4 pcs
- 4 – KM000111 NUT2 pcs



Spring leveller – left

Models FO, FO_L

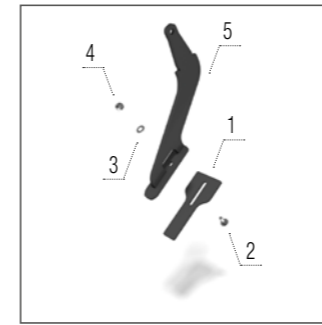
- 1 – 00663000 ARM.....1 pcs
- 2 – KM000138 SCREW.....2 pcs
- 3 – KM000006 WASHER.....4 pcs
- 4 – KM000111 NUT2 pcs



Scraper V-ring roller

Models FN, FN_L, FN_RT, FO, FO_L

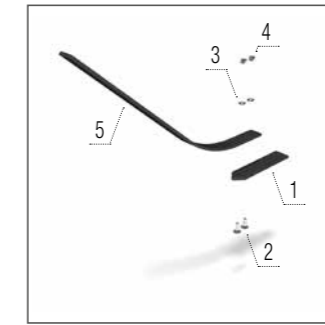
- 1 – 00037392 SCRAPER1 pcs
- 2 – KM000395 SCREW.....1 pcs
- 3 – KM000081 WASHER.....1 pcs
- 4 – KM000155 NUT1 pcs
- 5 – 00000754 HOLDER.....1 pcs



Scraper Steel ring packer

Models FN, FN_L, FN_RT, FO, FO_L

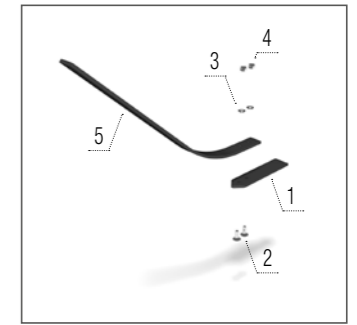
- 1 – 00029738 SCRAPER1 pcs
- 2 – KM000395 SCREW.....1 pcs
- 3 – KM000081 WASHER.....1 pcs
- 4 – KM000155 NUT1 pcs
- 5 – 00046596 HOLDER.....1 pcs



Scraper U-ring

Models FN, FN_L

- 1 – 00712419 SCRAPER1 pcs
- 2 – KM000395 SCREW.....2 pcs
- 3 – KM000081 WASHER.....2 pcs
- 4 – KM000155 NUT2 pcs
- 5 – 00713124 SPRING.....1 pcs



Scraper Spring packer

Models FN, FN_L

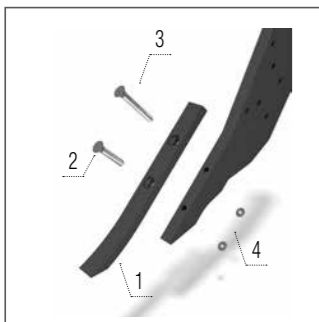
- 1 – 00712418 SCRAPER1 pcs
- 2 – KM000395 SCREW.....2 pcs
- 3 – KM000081 WASHER.....2 pcs
- 4 – KM000155 NUT2 pcs
- 5 – 00713124 SPRING.....1 pcs

SPARE PART NUMBER

FENIX	pcs	FN 3000	FN 3500	FN 4000	FO 4000	FO 5000	FO 6000
		FN 3000L	FN 3500L	FN 4000R			
		FN 3000 RT	FN 3500 RT	FN 4000 RL	FO 4000 L	FO 5000L	FO 6000L
Share Clip-On	10	12	13	13	15	19	
Chisel	10	12	13	13	15	19	
Share wing right	10	12	13	13	15	19	
Share wing left	10	12	13	13	15	19	
Deflector – right	6	7	8	6	8	10	
Deflector – left	4	5	5	7	7	9	
Spring leveller – right	4	4	5	4	5	6	
Spring leveller – left	4	4	5	4	5	6	
Scraper V-ring roller	22	26	31	26	34	42	
Scraper Steel ring packer	23	27	33	29	37	45	
Scraper Roadpacker	23	27	33	29	37	45	
Scraper U-ring	16	18	24	–	–	–	
Scraper Spring packer	13	14	18	22	28	36	
Levelling disc – right	4	4	5	4	5	6	
Levelling disc – left	4	4	5	4	5	6	
Tine harrow tines	21	24	28	28	36	42	



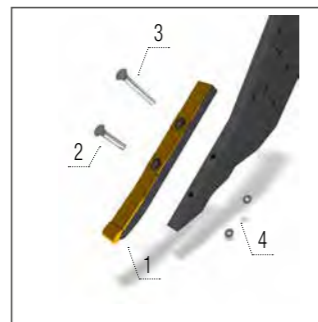
TERRASTRIP ZN



Chisel 40 mm

Model ZN

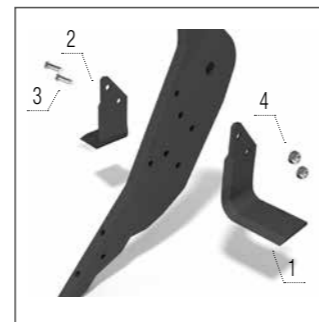
- 1 – KM060231 CHISEL.....1 pcs
- 2 – KM000857 SCREW.....1 pcs
- 3 – KM000906 SCREW.....1 pcs
- 4 – KM000855 NUT2 pcs



Chisel 40 mm LONG LIFE

Model ZN

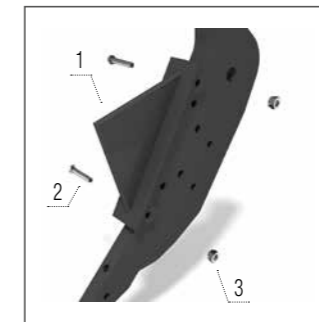
- 1 – KM060340 CHISEL.....1 pcs
- 2 – KM000854 SCREW.....1 pcs
- 3 – KM000906 SCREW.....1 pcs
- 4 – KM000855 NUT2 pcs



Share wings left and right

Model ZN

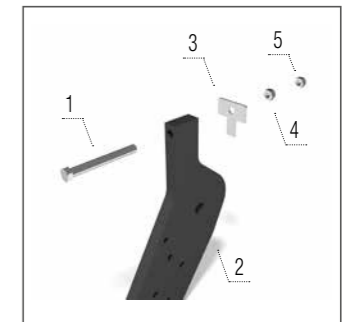
- 1 – KM060351 WING.....1 pcs
- 2 – KM060350 WING.....1 pcs
- 3 – KM000001 SCREW.....2 pcs
- 4 – KM000241 NUT2 pcs



Cover

Model ZN

- 1 – KM060172 COVER.....1 pcs
- 2 – KM000033 SCREW.....2 pcs
- 3 – KM000154 NUT2 pcs



Tension bolt

Model ZN

- 1 – KM000091 SCREW.....1 pcs
- 2 – 00723835 HOLDER.....1 pcs
- 3 – 00123400 WASHER.....1 pcs
- 4 – KM000003 NUT1 pcs
- 5 – KM000323 NUT1 pcs

SPARE PART NUMBER

TERRASTRIP		ZN 8R/45	ZN 8R/50	ZN 8/75
Chisel	pcs	8	8	8
Share wing right	pcs	8	8	8
Share wing left	pcs	8	8	8
Blade	pcs	8	8	8
Tension bolt	pcs	8	8	8

TERRALAND

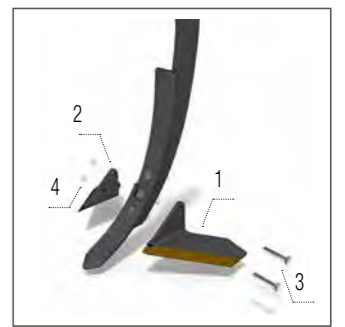
chisel plough



TERRALAND TN



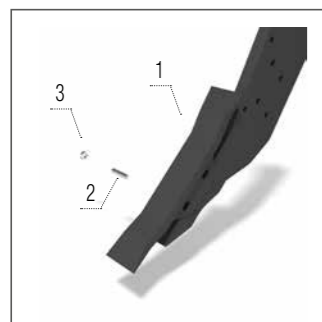
TERRALAND TN_PROFI



Share wing 185 mm
LONG LIFE

Model D0

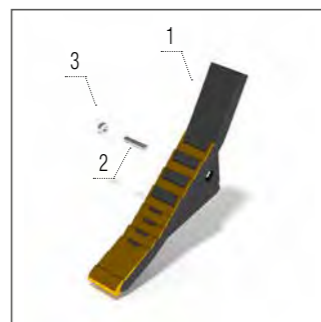
- 1 – KM060483 WING 1 pcs
- 2 – KM060484 WING 1 pcs
- 3 – KM000163 SCREW 2 pcs
- 4 – KM000296 NUT 2 pcs



Chisel 70 mm

Models TN_M, TN_HM, TN_RT, TO

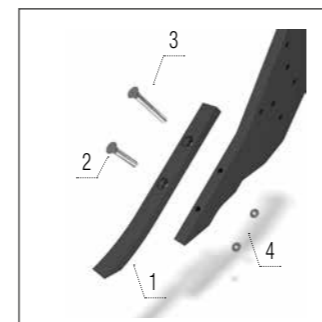
- 1 – KM060414*/KM060415** CHISEL.....1 pcs
- 2 – KM000479 PIN.....1 pcs
- 3 – KM000480 RING1 pcs



Chisel 70 mm
LONG LIFE

Models TN_M, TN_HM, TN_RT, TO

- 1 – KM060410*/KM060411** CHISEL.....1 pcs
- 2 – KM000479 PIN.....1 pcs
- 3 – KM000480 RING1 pcs



Chisel 40 mm

**Models TN_M, TN_HM, TN_RT, TO, TN_D,
TN_HD, TN_PROFI**

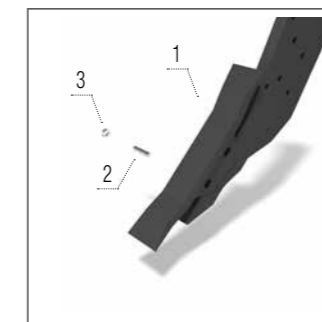
- 1 – KM060231 CHISEL1 pcs
- 2 – KM000857 SCREW.....1 pcs
- 3 – KM000906 SCREW.....1 pcs
- 4 – KM000855 NUT2 pcs



Chisel 40 mm LONG
LIFE

**Models TN_M, TN_HM, TN_RT, TO, TN_D,
TN_HD, TN_PROFI**

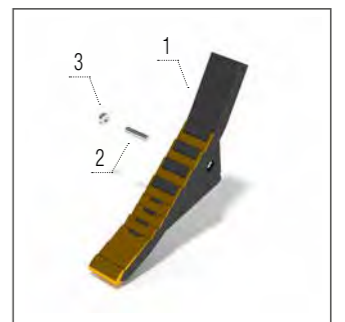
- 1 – KM060340 CHISEL.....1 pcs
- 2 – KM000854 SCREW.....1 pcs
- 3 – KM000906 SCREW.....1 pcs
- 4 – KM000855 NUT2 pcs



Chisel 70 mm

Models TN_D, TN_HD, TN_PROFI

- 1 – KM060415 CHISEL1 pcs
- 2 – KM000479 PIN.....1 pcs
- 3 – KM000480 RING1 pcs



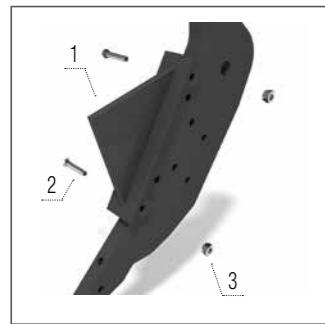
Chisel 70 mm LONG
LIFE

Models TN_D, TN_HD, TN_PROFI

- 1 – KM060411 CHISEL.....1 pcs
- 2 – KM000479 PIN.....1 pcs
- 3 – KM000480 RING1 pcs

* to version: DA
** from version: DA

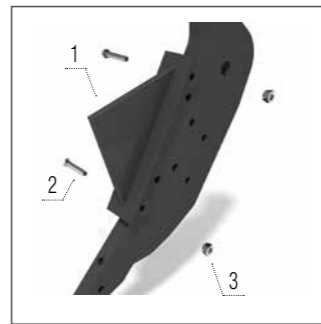
TERRALAND TO



Cover M

Models TN_M, TN_HM, TN_RT, TO

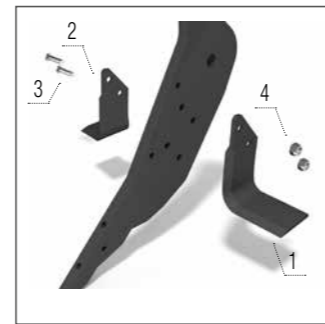
- 1 – KM060469 COVER1 pcs
- 2 – KM000333 SCREW2 pcs
- 3 – KM000154 NUT2 pcs



Cover D

Models TN_D, TN_HD, TN_PROFI

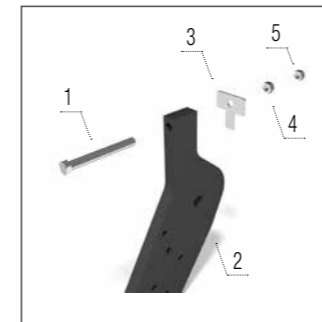
- 1 – KM060172 COVER1 pcs
- 2 – KM000033 SCREW2 pcs
- 3 – KM000154 NUT2 pcs



Share wings left and right

Models TN_M, TN_HM, TN_RT, TO, TN_D, TN_HD, TN_PROFI

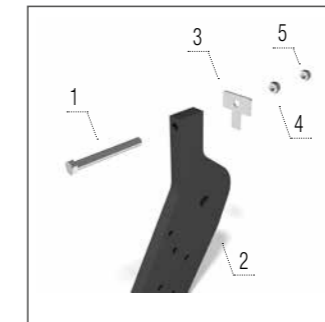
- 1 – KM060351 WING1 pcs
- 2 – KM060350 WING1 pcs
- 3 – KM000550 SCREW2 pcs
- 4 – KM000241 NUT2 pcs



Tension bolt M

Models TN_M, TN_HM, TN_RT, TO

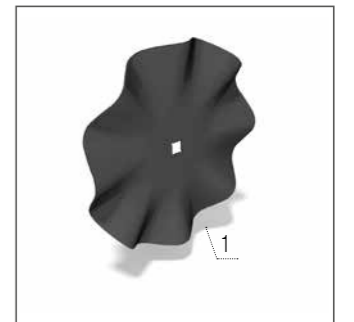
- 1 – KM000091 SCREW1 pcs
- 2 – 00039317 HOLDER1 pcs
- 3 – 00123400 WASHER1 pcs
- 4 – KM000003 NUT1 pcs
- 5 – KM000323 NUT1 pcs



Tension bolt D

Models TN_D, TN_HD, TN_PROFI

- 1 – KM000091 SCREW1 pcs
- 2 – 00004666 HOLDER1 pcs
- 3 – 00123400 WASHER1 pcs
- 4 – KM000003 NUT1 pcs
- 5 – KM000323 NUT1 pcs



Coulter

Model TN_Profi

- 1 – KM060296 DISC1 pcs

SPARE PART NUMBER

TERRALAND		TN 3000 M5R/D5R TN 3000 HM5R	TN 3000 M7R/D7R TN 3000 HM7R/HD7R TN 3000 D7R PROFI TN 3000 HD7R PROFI	TN 4000 M7R/D7R TN 4000 HD7R PROFI	TN 4000 M9R/D9R TN 4000 HM9R/HD9R TN 4000 D9R PROFI TN 4000 HD9R PROFI
Chisel	pcs	5	7	7	9
Share wing right	pcs	5	7	7	9
Share wing left	pcs	5	7	7	9
Blade	pcs	5	7	7	9
Tension bolt	pcs	5	7	7	9
Coulter model TN_Profi	pcs	—	32	40	40

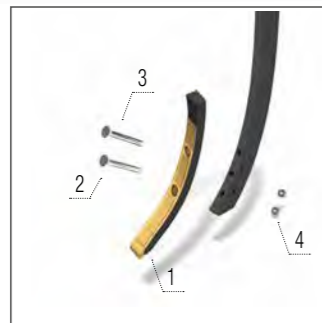
SPARE PART NUMBER

TERRALAND		TO 4000	TO 5000	TO 6000
Chisel	pcs	9	11	13
Share wing right	pcs	9	11	13
Share wing left	pcs	9	11	13
Blade	pcs	9	11	13
Tension bolt	pcs	9	11	13
Coulter model TN_Profi	pcs	—	—	—

TERRALAND DO

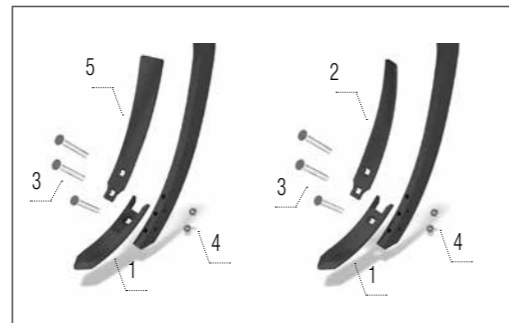
combined disc chisel plough

TERRALAND DO



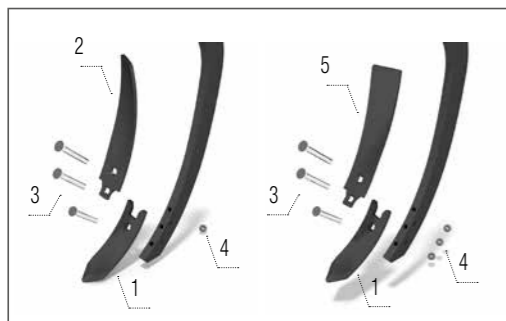
**Chisel 40 mm
LONG LIFE**

- Model DO**
- 1 – KM060446** CHISEL (since 2019) ... 1 pcs
 - 2 – KM000854 SCREW 1 pcs
 - 3 – KM000906 SCREW 1 pcs
 - 4 – KM000855 NUT 2 pcs



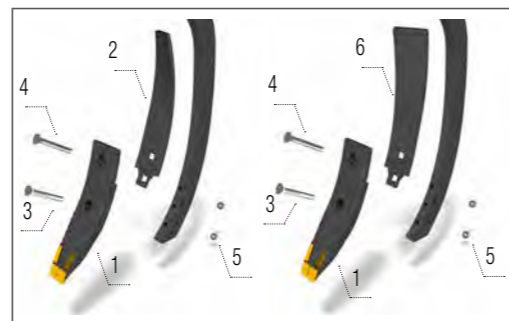
Chisel 60 mm

- Model DO**
- 1 – KM060436 CHISEL 2 pcs
 - 2 – KM060439 METAL DEFLECTOR RIGHT 1 pcs
 - 3 – KM000854 SCREW 6 pcs
 - 4 – KM000855 NUT 6 pcs
 - 5 – KM060440 METAL DEFLECTOR LEFT 1 pcs



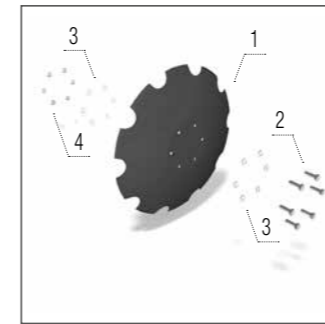
Chisel 80 mm

- Model DO**
- 1 – KM060437 CHISEL 2 pcs
 - 2 – KM060435 METAL DEFLECTOR RIGHT 1 pcs
 - 3 – KM000854 SCREW 6 pcs
 - 4 – KM000855 NUT 6 pcs
 - 5 – KM060438 METAL DEFLECTOR LEFT 1 pcs



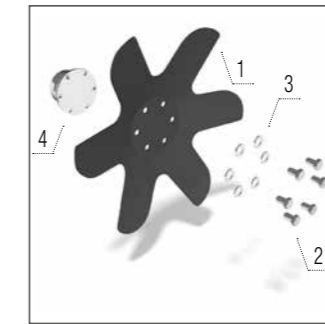
Chisel 80 mm LONG LIFE

- Models FN, FN_L, FN_RT, FO, FO_L**
- 1 – KM060402*/ KM060427** CHISEL 2 pcs
 - 2 – KM060435 METAL DEFLECTOR RIGHT 1 pcs
 - 3 – KM000854 SCREW 2 pcs
 - 4 – KM000858 SCREW 2 pcs
 - 5 – KM000855 NUT 4 pcs
 - 6 – KM060438 METAL DEFLECTOR LEFT 1 pcs



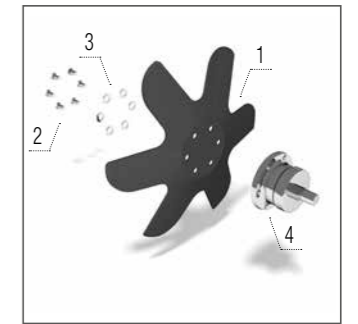
**Serrated disc
660 × 6 mm**

- Model DO**
- 1 – KM060370 DISC 1 pcs
 - 2 – KM000969 SCREW 6 pcs
 - 3 – KM000242 WASHER 12 pcs
 - 4 – KM000685 NUT 6 pcs



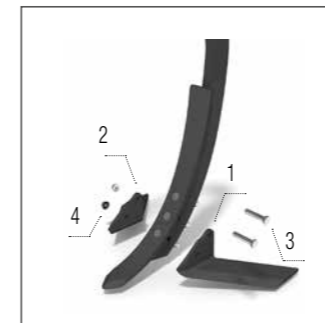
**Levelling disc
– right**

- Model DO**
- 1 – KM060251 DISC 1 pcs
 - 2 – KM000463 SCREW 6 pcs
 - 3 – KM000056 WASHER 6 pcs
 - 4 – KM040146 HUB 1 pcs



**Levelling disc
– left**

- Model DO**
- 1 – KM060250 DISC 1 pcs
 - 2 – KM000463 SCREW 6 pcs
 - 3 – KM000056 WASHER 6 pcs
 - 4 – KM040146 HUB 1 pcs



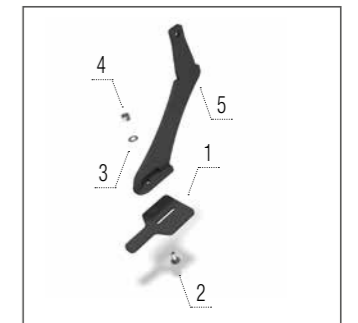
Share wing 185 mm

- Models FN, FN_L, FN_RT, FO, FO_L**
- 1 – KM060361*/KM060443* WING L 1 pcs
 - 2 – KM060362*/KM060444* WING R 1 pcs
 - 3 – KM000548*/KM000890* SCREW 2 pcs
 - 4 – KM000296 NUT 2 pcs



**Share wing 185 mm
LONG LIFE**

- Models FN, FN_L, FN_RT, FO, FO_L**
- 1 – KM060316*/KM060447* WING L 1 pcs
 - 2 – KM060317*/KM060448* WING P 1 pcs
 - 3 – KM000890*/KM000986* ŠROUB 2 pcs
 - 4 – KM000296 MATICE 2 pcs



**Scraper Cutpack
packer**

- Model DO**
- 1 – 00830280 SCRAPER 1 pcs
 - 2 – KM000395 SCREW 1 pcs
 - 3 – KM000081 WASHER 1 pcs
 - 4 – KM000155 NUT 1 pcs
 - 5 – 00887377 HOLDER 1 pcs



Share wing 125 mm

- Models FN, FN_L, FN_RT, FO, FO_L**
- 1 – KM060359*/KM060441* WING L 1 pcs
 - 2 – KM060360*/KM060442* WING R 1 pcs
 - 3 – KM000548*/KM000890* SCREW 2 pcs
 - 4 – KM000296 NUT 2 pcs

SPARE PART NUMBER

TERRALAND		DO 4000	do 5000	DO 6000
Serrated disc 660 × 6 mm	pcs	22	26	34
Chisel	pcs	11	13	17
Deflector – right	pcs	6	7	8
Deflector – left	pcs	5	6	7
Share wing right	pcs	11	13	17
Share wing left	pcs	11	13	17
Levelling disc – right	pcs	3	4	5
Levelling disc – left	pcs	3	4	5
Scraper Cutpack packer	pcs	34	40	52

ROW-MASTER

inter-row cultivator

inter-row cultivation

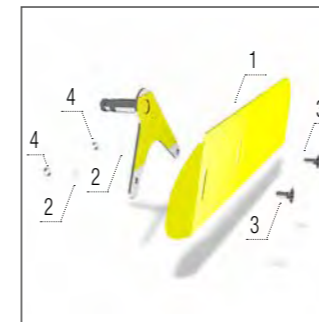
ROW-MASTER RN_S

ROW-MASTER RN



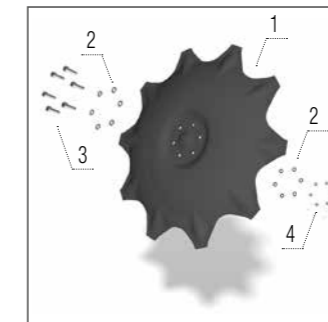
Harrow tine 6,3 mm

- Models RN, RN_S**
- 1 – KM210009 TINE 1 pcs
 - 2 – KM000372 SCREW 1 pcs
 - 3 – KM000121 WASHER 1 pcs
 - 4 – KM000154 NUT 1 pcs



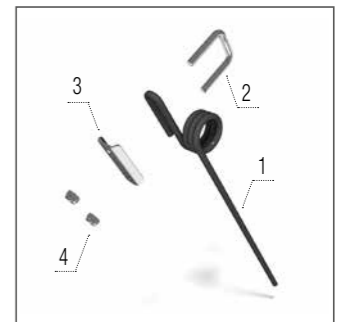
Solid shield

- Models RN, RN_S**
- 1 – 01364309L / 00777846R COVERING... 1 pcs
 - 2 – KM000056 WASHER 2 pcs
 - 3 – KM000329 SCREW 2 pcs
 - 4 – KM000154 NUT 2 pcs



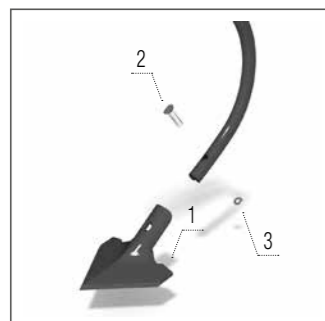
Protection disc

- Models RN, RN_S**
- 1 – KM060347 DISC 1 pcs
 - 2 – KM000024 WASHER 12 pcs
 - 3 – KM000879 SCREW 6 pcs
 - 4 – KM000157 NUT 6 pcs



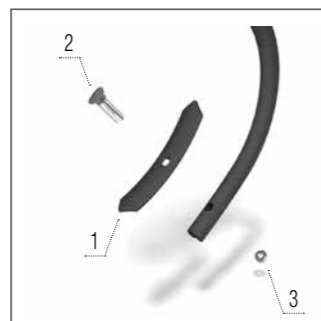
Harrow tine 10 mm

- Models RN, RN_S**
- 1 – KM210007 TINE 1 pcs
 - 2 – KM000759 STIRRUP 1 pcs
 - 3 – 00692702 WASHER 1 pcs
 - 4 – KM000155 NUT 2 pcs



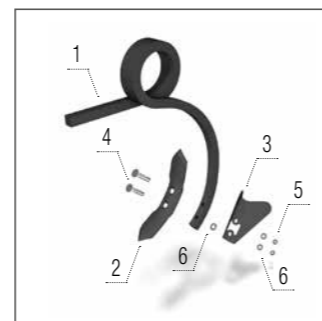
Share 150 mm

- Models RN, RN_S**
- 1 – KM060310 SHARE 1 pcs
 - 2 – KM000221 SCREW 1 pcs
 - 3 – KM000096 NUT 1 pcs



Chisel 40 mm

- Models RN, RN_S**
- 1 – KM060346 CHISEL 1 pcs
 - 2 – KM000221 SCREW 1 pcs
 - 3 – KM000096 NUT 1 pcs



Share 60 mm

- Model RN_S**
- 1 – KM060083 HOLDER 1 pcs
 - 2 – KM060324 SHARE 1 pcs
 - 3 – 00688162 DEFLECTOR 1 pcs
 - 4 – KM000616 SCREW 2 pcs
 - 5 – KM000325 NUT 2 pcs
 - 6 – KM000056 WASHER 3 pcs

SPARE PART NUMBER

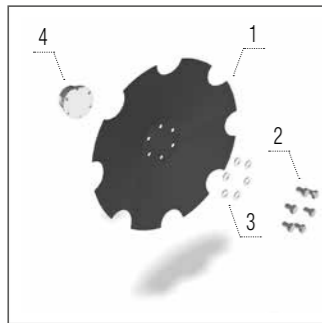
ROW-MASTER		RN 4800	RN 6400	RN 9600	RN 3000 S	RN 6000 S	RN 9000 S
Share 150 mm	pcs	25–31	34–38	55–61	19	37	55
Chisel 40 mm	pcs	7–9	16–24	22–36	12	24	36
Chisel 60 mm	pcs	12–16	9–13	12–19	7	13	19
Protection disc	pcs	12–16	16–24	22–36	12	24	36
Solid shield	pcs	12–16	16–24	22–36	12	24	36
Harrow tines 10 mm	pcs	16–22	24–28	34–37	12	24	36
Harrow tines 6.3 mm	pcs	–	–	–	19	37	55



OMEGA 00_L



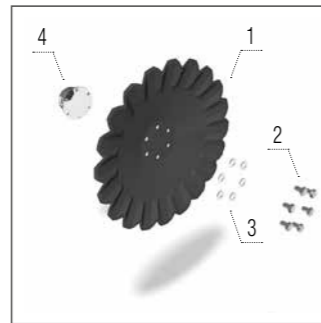
OMEGA 00_FL



Serrated disc
460 x 5 mm

Models 00, 00_F, 00_L, 00_FL

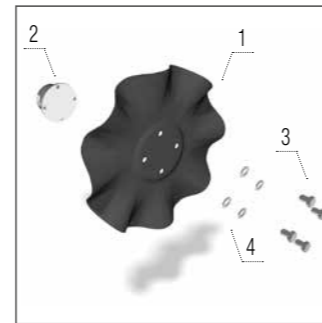
- 1 – KM060335 DISC1 pcs
- 2 – KM000489 SCREW.....6 pcs
- 3 – KM000056 WASHER.....6 pcs
- 4 – KM040146 HUB1 pcs



A-disc 460 x 5 mm

Models 00, 00_F, 00_L, 00_FL

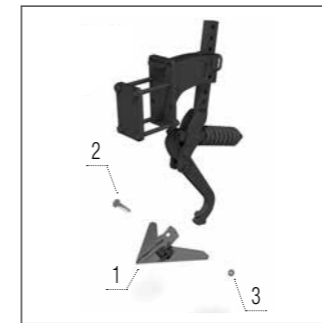
- 1 – KM060434 DISC1 pcs
- 2 – KM000489 SCREW.....6 pcs
- 3 – KM000056 WASHER.....6 pcs
- 4 – KM040146 HUB1 pcs



Coulter

Models 00, 00_L

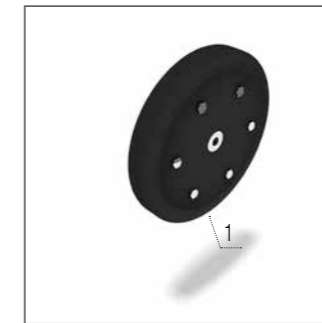
- 1 – KM060343 DISC1 pcs
- 2 – KM040110 HUB6 pcs
- 3 – KM000489 SCREW.....6 pcs
- 4 – KM000056 WASHER.....1 pcs



Track eradicator share

Models 00, 00_F, 00_L

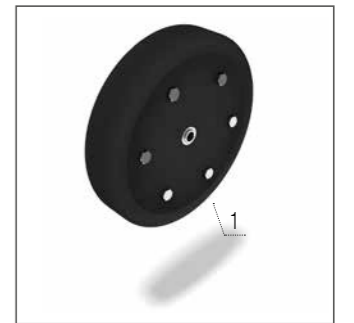
- 1 – KM060086 SHARE1 pcs
- 2 – KM000616 SCREW.....1 pcs
- 3 – KM000296 NUT1 pcs



Press wheel 330 x 50

Models 00, 00_F, 00_L, 00_FL

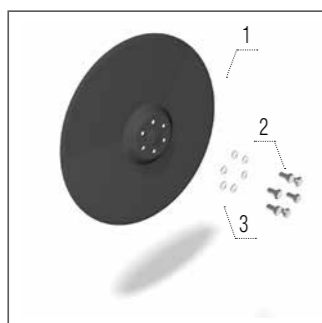
- 1 – KM410213 WHEEL1 pcs



Press wheel 330 x 65

Models 00, 00_F, 00_L, 00_FL

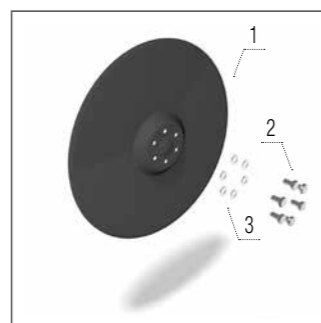
- 1 – KM410212 WHEEL1 pcs



Fertiliser coulter

Models 00_F, 00_FL

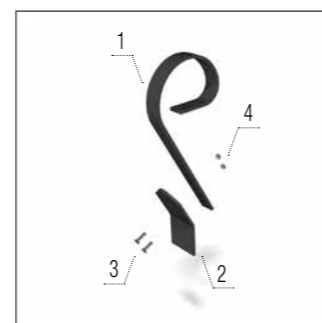
- 1 – KM060284 DISC1 pcs
- 2 – KM000695 SCREW.....6 pcs
- 3 – KM000219 WASHER.....6 pcs



Seed coulter

Models 00, 00_F, 00_L, 00_FL

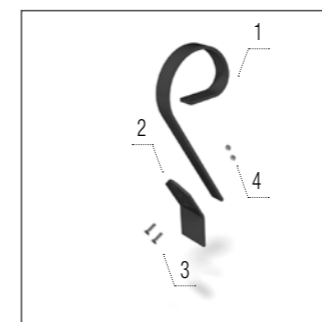
- 1 – KM060284 DISC1 pcs
- 2 – KM000695 SCREW.....6 pcs
- 3 – KM000219 WASHER.....6 pcs



Crushbar paddle

Models 00, 00_F, 00_L, 00_FL

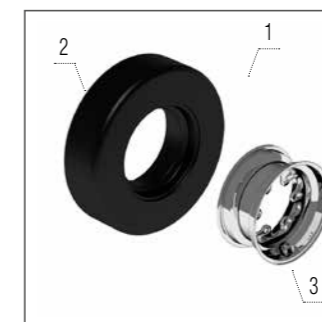
- 1 – KM060349 HOLDER1 pcs
- 2 – KM060136 METAL SHEEL.....1 pcs
- 3 – KM000851 SCREW.....2 pcs
- 4 – KM000848 NUT2 pcs



Crushbar paddle – rear leveller

Models 00, 00_F, 00_L, 00_FL

- 1 – KM060189 HOLDER1 pcs
- 2 – KM060136 METAL SHEEL1 pcs
- 3 – KM000851 SCREW2 pcs
- 4 – KM000848 NUT2 pcs



Frontpack Tyre

Models 00, 00_F, 00_L, 00_FL

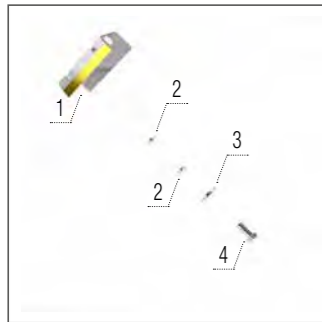
- 1 – KM051017 WHEEL1 pcs
- 2 – KM051016 TYRE1 pcs
- 3 – KM051015 RIM1 pcs



Rear Tyre

Models 00, 00_F, 00_L, 00_FL

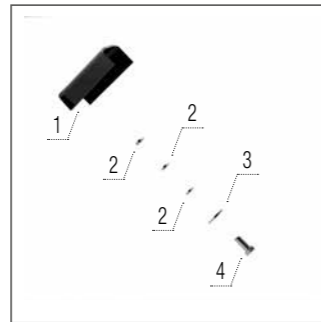
- 1 – KM051000 WHEEL1 pcs
- 2 – KM050633 TYRE1 pcs
- 3 – KM050017 RIM1 pcs



Seed coulter scraper Karbid

Models OO, OO_F, OO_L, OO_FL, OO_FL

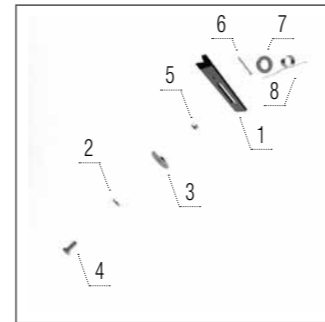
- 1 – 01290453 SCRAPER 1 pcs
- 2 – KM000027 WASHER..... 2 pcs
- 3 – KM000935 WASHER..... 1 pcs
- 4 – KM000256 SCREW..... 1 pcs



Seed coulter scraper U

Models OO, OO_F, OO_L, OO_FL, OO_FL

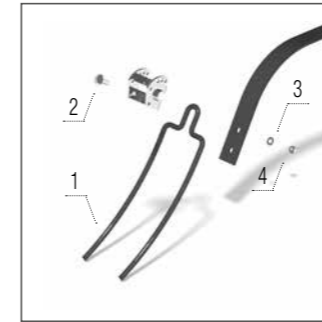
- 1 – 01383911 METAL SHEEL..... 1 pcs
- 2 – KM000027 WASHER..... 3 pcs
- 3 – KM000935 WASHER..... 1 pcs
- 4 – KM000256 SCREW..... 1 pcs



Seed coulter scraper Standard

Models OO, OO_F, OO_L, OO_FL, OO_FL

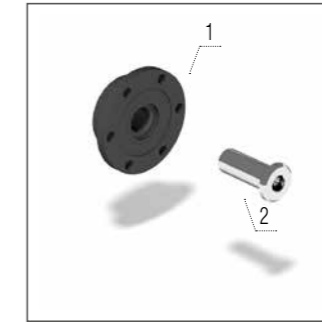
- 1 – 00803410 SCRAPER 1 pcs
- 2 – KM000219 WASHER..... 1 pcs
- 3 – 00397321 WASHER..... 1 pcs
- 4 – KM000256 SCREW..... 1 pcs
- 5 – 00288400 HOUSING..... 1 pcs
- 6 – KM000194 SPLIT PIN 1 pcs
- 7 – KM000005 WASHER..... 1 pcs
- 8 – 00710067 SPRING 1 pcs



Harrow tine – behind the seeding coulter

Models OO, OO_F, OO_L, OO_FL

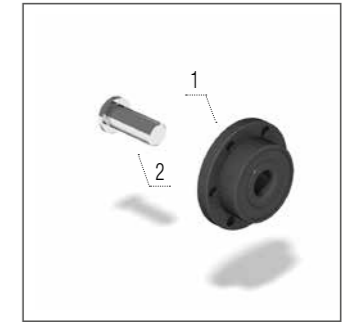
- 1 – KM210005 TINE 1 pcs
- 2 – KM000395 SCREW..... 1 pcs
- 3 – KM000081 WASHER..... 1 pcs
- 4 – KM000155 NUT 1 pcs



Seed coulter bearing

Models OO, OO_F, OO_L, OO_FL

- 1 – KM040148 BEARING 1 pcs
- 2 – KM000766 SCREW..... 6 pcs

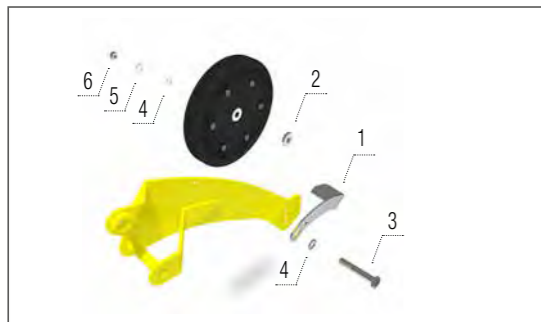


Seed coulter bearing

Models OO, OO_F, OO_L, OO_FL

- 1 – KM040148 BEARING 1 pcs
- 2 – KM000767 SCREW..... 6 pcs

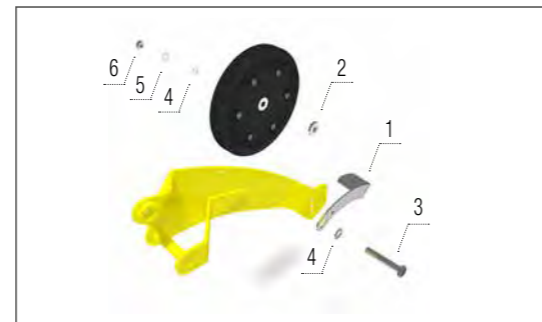
* left-hand thread ** right-hand thread



Press wheel scraper 330 x 50

Models OO, OO_F, OO_L, OO_FL

- 1 – 00402322 SCRAPER 1 pcs
- 2 – 00152269 HOUSING..... 1 pcs
- 3 – KM000331 SCREW..... 1 pcs
- 4 – KM000005 WASHER..... 2 pcs
- 5 – 00175108 HOUSING..... 1 pcs
- 6 – KM000323 NUT 1 pcs



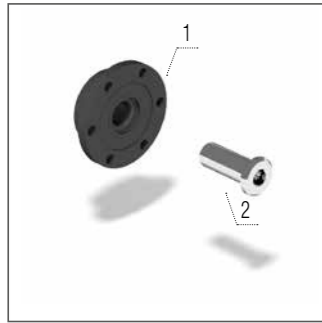
Press wheel scraper 330 x 65

Models OO, OO_F, OO_L, OO_FL

- 1 – 00402322 SCRAPER 1 pcs
- 2 – 00601518 HOUSING..... 1 pcs
- 3 – KM000331 SCREW..... 1 pcs
- 4 – KM000005 WASHER..... 2 pcs
- 5 – 00175108 HOUSING..... 1 pcs
- 6 – KM000323 NUT 1 pcs

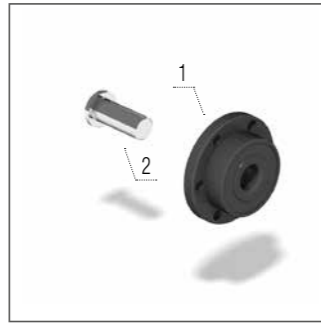
SPARE PART NUMBER

OMEGA	OO 3000		OO 4000		OO 6000	
	OO 3000 Ferti	OO 3000 L	OO 4000 Ferti	OO 4000 L	OO 6000 Ferti	OO 8000 L
Serrated disc 460 x 5 mm	pcs	24	32	48	64	64
A-disc 460 x 5 mm	pcs	24	32	48	64	64
Crushbar paddle (track eradicator/without track eradicator)	pcs	6/12	11/15	19/23	23/27	23/27
Crushbar paddle – rear leveller	pcs	12	16	24	32	32
Coulter	pcs	24	16/12	48	64	64
Fertiliser coulter (distance 12,5/16,7 cm)	pcs	—/—	32/24	48/36	64/48	64/48
Seed coulter (distance 12,5/16,7 cm)	pcs	48/36	64/48	96/72	128/96	128/96
Seed coulter scraper Standard (12,5/16,7 cm)	pcs	24/18	32/24	48/36	64/48	64/48
Seed coulter scraper Karbid (12,5/16,7 cm)	pcs	24/18	32/24	48/36	64/48	64/48
Seed coulter scraper U (12,5/16,7 cm)	pcs	24/18	32/24	48/36	64/48	64/48
Press wheel 330 x 50 (12,5/16,7 cm)	pcs	24/18	32/24	48/36	64/48	64/48
Press wheel 330 x 65 (12,5/16,7 cm)	pcs	24/18	32/24	48/36	64/48	64/48
Press wheel scraper 330 x 50 (12,5 cm)	pcs	24	32	48	64	64
Press wheel scraper 330 x 50 (16,7 cm)	pcs	18	24	36	48	48
Press wheel scraper 330 x 65 (12,5 cm)	pcs	24	32	48	64	64
Press wheel scraper 330 x 65 (16,7 cm)	pcs	18	24	36	48	48
Frontpack Tyre	pcs	4	8	14	20	20
Rear Tyre	pcs	6	8	12	16	16
Seed coulter bearing (distance 12,5 cm)	pcs	48	64	96	128	128
Seed coulter bearing (distance 16,7 cm)	pcs	36	48	72	96	96
Fertiliser coulter bearing (distance 12,5 cm)	pcs	—	32	48	64	64
Fertiliser coulter bearing (distance 16,7 cm)	pcs	—	24	36	48	48
Rear harrow tine – behind the seeding coulter (12,5 cm)	pcs	12	16	24	32	32
Rear harrow tine – behind the seeding coulter (16,7 cm)	pcs	9	12	18	24	24
Track eradicator share	pcs	4	4	4	4	4



Fertiliser couler bearing

- Model 00_FL**
 1 – KM040148 BEARING1 pcs
 2 – KM000766 SCREW.....6 pcs



Fertiliser couler bearing

- Model 00_FL**
 1 – KM040148 BEARING1 pcs
 2 – KM000767 SCREW.....6 pcs

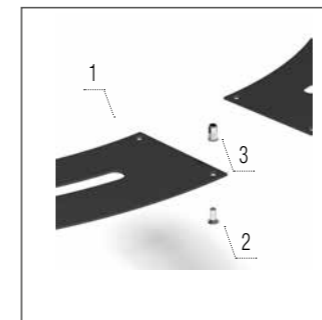
* left-hand thread ** right-hand thread

MULCHER MO

rotary cutter

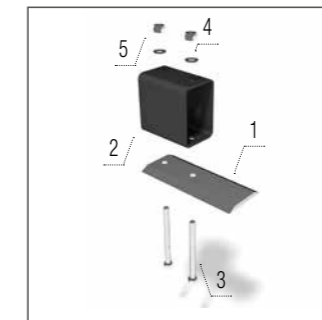


MULCHER MO



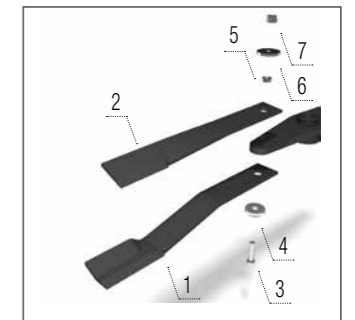
Armour plates set

- Model MO**
 1 – 00785717 SEGMENT.....4 pcs
 2 – KM000320 SCREW.....24 pcs
 3 – KM000733 NUT24 pcs



Front counterblade

- Model MO**
 1 – KM060108 BLADE.....1 pcs
 2 – 00021099 HOLLOW SECTION.....1 pcs
 3 – KM000295 SCREW.....1 pcs
 4 – KM000005 WASHER.....1 pcs
 5 – KM000057 NUT1 pcs



Blade

- Model MO**
 1 – KM060134 BLADE.....1 pcs
 2 – KM060127 BLADE.....1 pcs
 3 – 00021142 SCREW1 pcs
 4 – 00021234 COVER1 pcs
 5 – 00021422 HOUSING.....1 pcs
 6 – 00021158 PLAQUE1 pcs
 7 – KM000228 NUT1 pcs

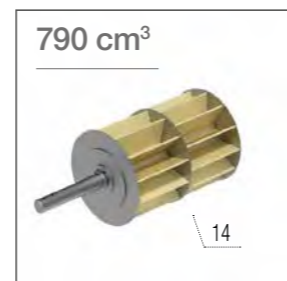
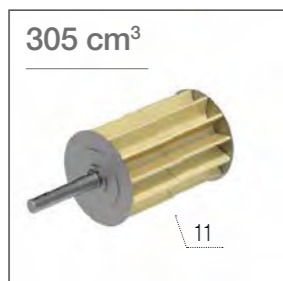
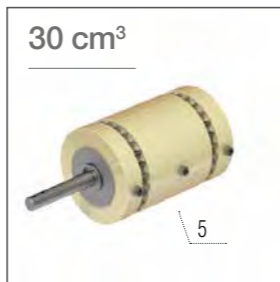
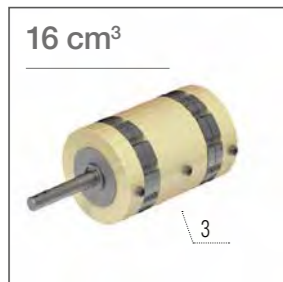
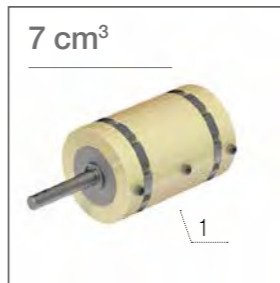
SPARE PART NUMBER

MULCHER		MO 2500
Blade	pcs	4
Front counterblade	pcs	2
Armour plates set	pcs	4

Seed rollers

Models 00, 00_L, 00_FL

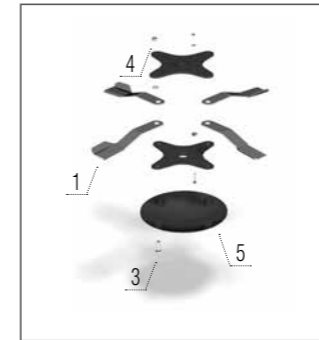
- | | |
|---------------------------------|---------------------------------|
| 1 – KM420007 CYLINDER.... 1 pcs | 8 – KM420145 CYLINDER.... 1 pcs |
| 2 – KM420011 CYLINDER.... 1 pcs | 9 – KM420150 CYLINDER.... 1 pcs |
| 3 – KM420016 CYLINDER.... 1 pcs | 10 – KM420290 CYLINDER.. 1 pcs |
| 4 – KM420022 CYLINDER.... 1 pcs | 11 – KM420305 CYLINDER.. 1 pcs |
| 5 – KM420030 CYLINDER.... 1 pcs | 12 – KM420395 CYLINDER.. 1 pcs |
| 6 – KM420050 CYLINDER.... 1 pcs | 13 – KM420580 CYLINDER.. 1 pcs |
| 7 – KM420100 CYLINDER.... 1 pcs | 14 – KM420790 CYLINDER.. 1 pcs |



MULCHER MZ

rotary cutter

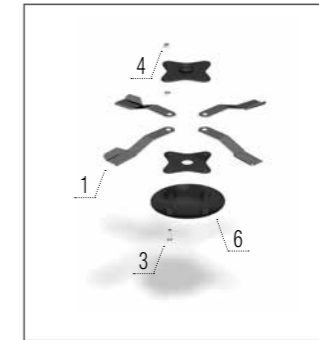
MULCHER MZ



Set grass blade – left + Engine cover

Model MZ 4500

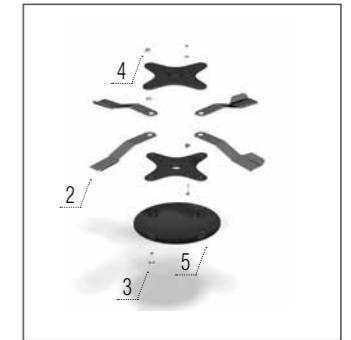
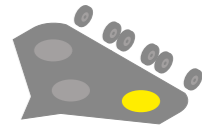
1 – KM060134 BLADE.....	4 pcs
3 – KM000552 SCREW.....	4 pcs
4 – KM000228 NUT.....	4 pcs
5 – 00021106 COVER.....	1 pcs



Set grass blade – middle + Engine cover

Model MZ 4500

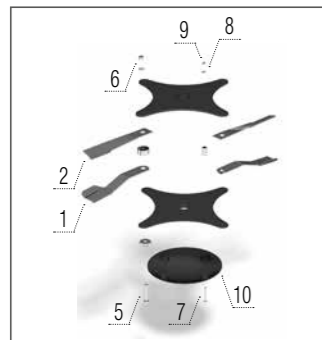
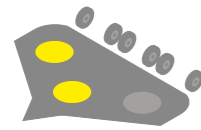
1 – KM060134 BLADE.....	4 pcs
3 – KM000552 SCREW.....	4 pcs
4 – KM000228 NUT.....	4 pcs
6 – 00021237 COVER.....	1 pcs



Set grass blade – right + Engine cover

Model MZ 4500

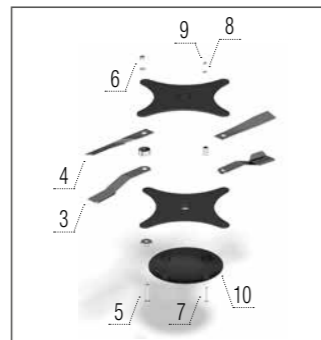
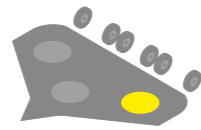
2 – KM060135 BLADE.....	4 pcs
3 – KM000552 SCREW.....	4 pcs
4 – KM000228 NUT.....	4 pcs
5 – 00021106 COVER.....	1 pcs



Set corn blade – left + Engine cover

Model MZ 6000

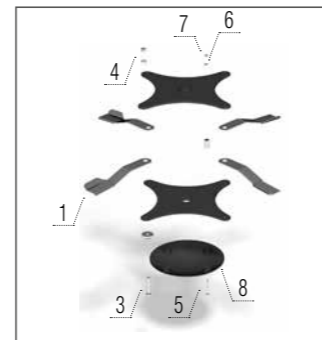
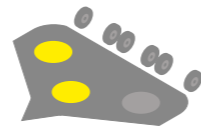
1 – KM060134 BLADE.....	2 pcs
2 – KM060127 BLADE.....	2 pcs
5 – KM000326 SCREW.....	4 pcs
6 – KM000228 NUT.....	4 pcs
7 – KM000104 SCREW.....	4 pcs
8 – KM000005 WASHER.....	4 pcs
9 – KM000057 NUT.....	4 pcs
10 – 00021135 COVER.....	1 pcs



Set corn blade – right + Engine cover

Model MZ 6000

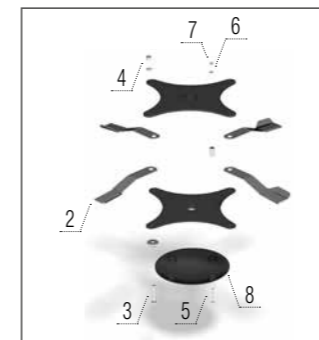
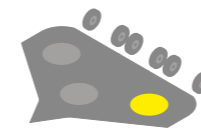
3 – KM060135 BLADE.....	2 pcs
4 – KM060126 BLADE.....	2 pcs
5 – KM000326 SCREW.....	4 pcs
6 – KM000228 NUT.....	4 pcs
7 – KM000104 SCREW.....	4 pcs
8 – KM000005 WASHER.....	4 pcs
9 – KM000057 NUT.....	4 pcs
10 – 00021135 COVER.....	1 pcs



Set grass blade – left + Engine cover

Model MZ 6000

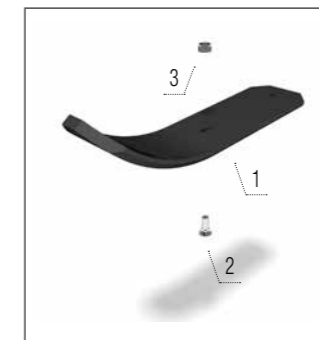
1 – KM060134 BLADE.....	4 pcs
3 – KM000552 SCREW.....	4 pcs
4 – KM000228 NUT.....	4 pcs
5 – KM000352 SCREW.....	4 pcs
6 – KM000005 WASHER.....	4 pcs
7 – KM000057 NUT.....	4 pcs
8 – 00021135 COVER.....	1 pcs



Set grass blade – right + Engine cover

Model MZ 6000

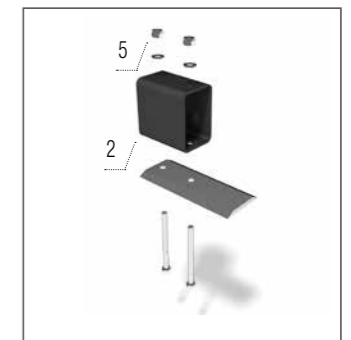
2 – KM060135 BLADE.....	4 pcs
3 – KM000552 SCREW.....	4 pcs
4 – KM000228 NUT.....	4 pcs
5 – KM000352 SCREW.....	4 pcs
6 – KM000005 WASHER.....	4 pcs
7 – KM000057 NUT.....	4 pcs
8 – 00021135 COVER.....	1 pcs



Protection steel

Model MZ 4500

1 – 00030705 ROD.....	1 pcs
2 – KM000143 SCREW.....	2 pcs
3 – KM000154 NUT.....	2 pcs



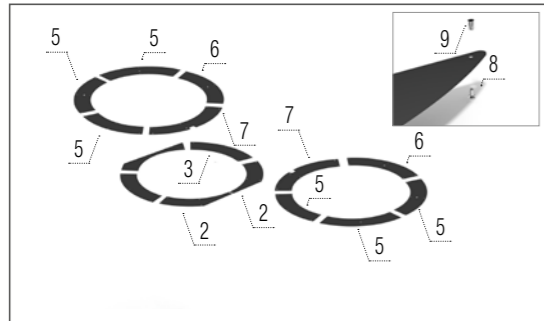
Front counterblade

Model MZ

1 – KM060108 BLADE.....	1 pcs
2 – 00021589 HOLLOW SECTION.....	1 pcs
3 – KM000379 SCREW.....	1 pcs
4 – KM000005 WASHER.....	1 pcs
5 – KM000057 NUT.....	1 pcs

MULCHER MZ

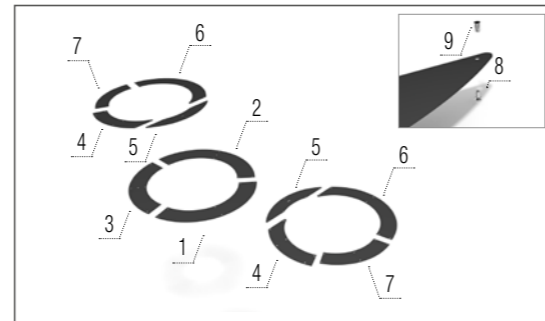
rotary cutter



Armour plates set

Model MZ 6000

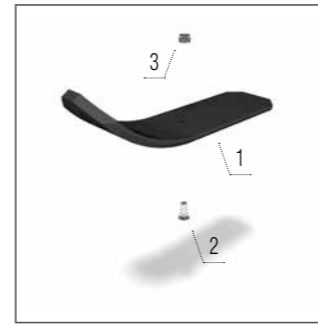
1 – 00786846 METAL SHEEL.....	1 pcs
2 – 00786839 METAL SHEEL.....	2 pcs
3 – 00786862 METAL SHEEL.....	1 pcs
4 – 00786841 METAL SHEEL.....	1 pcs
5 – 00786840 METAL SHEEL.....	6 pcs
6 – 00786861 METAL SHEEL.....	2 pcs
7 – 00786853 METAL SHEEL.....	2 pcs
8 – KM000733 NUT.....	6 pcs
9 – KM000320 SCREW.....	6 pcs



Armour plates set

Model MZ 4500

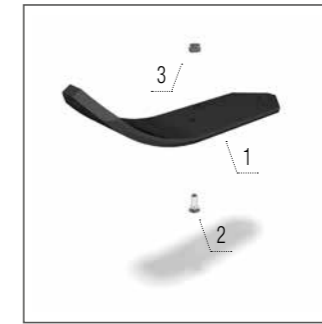
1 – 00786244 METAL SHEEL.....	1 pcs
2 – 00786247 METAL SHEEL.....	1 pcs
3 – 00786273 METAL SHEEL.....	1 pcs
4 – 00786263 METAL SHEEL.....	2 pcs
5 – 00786271 METAL SHEEL.....	2 pcs
6 – 00786266 METAL SHEEL.....	2 pcs
7 – 00786242 METAL SHEEL.....	2 pcs
8 – KM000733 NUT.....	6 pcs
9 – KM000320 SCREW.....	6 pcs



Side frame protection steel

Model MZ 6000

1 – 00030705 ROD.....	1 pcs
2 – KM000143 SCREW.....	2 pcs
3 – KM000154 NUT.....	2 pcs



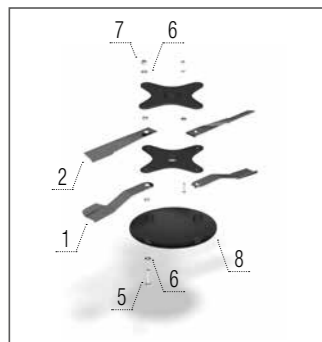
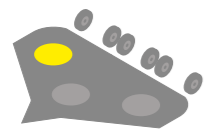
Main frame protection steel

Model MZ 6000

1 – 00049821 ROD.....	1 pcs
2 – KM000143 SCREW.....	2 pcs
3 – KM000154 NUT.....	2 pcs

SPARE PART NUMBER

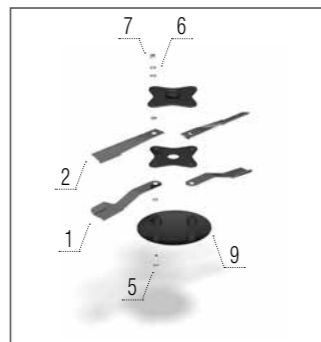
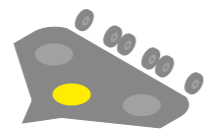
MULCHER		MZ 4500	MZ 6000
Curved corn blade	pcs	6	6
Flat corn blade	pcs	6	6
Grass blade	pcs	12	12
Front counterblade	pcs	3	3
Protection steel	pcs	4	4
Engine cover	pcs	3	3
Armour plates set	pcs	11	15



Set corn blade – left + Engine cover

Model MZ 4500

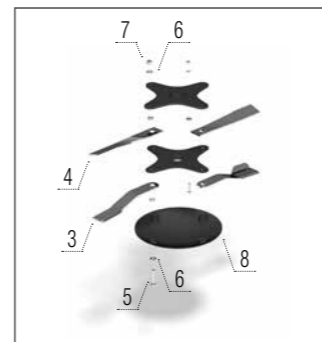
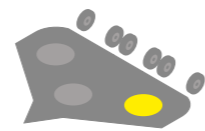
1 – KM060134 BLADE.....	2 pcs
2 – KM060127 BLADE.....	2 pcs
5 – KM000275 SCREW.....	4 pcs
6 – KM000020 WASHER.....	8 pcs
7 – KM000228 NUT.....	4 pcs
8 – 00021106 COVER.....	1 pcs



Set corn blade – middle + Engine cover

Model MZ 4500

1 – KM060134 BLADE.....	2 pcs
2 – KM060127 BLADE.....	2 pcs
5 – KM000275 SCREW.....	4 pcs
6 – KM000020 WASHER.....	8 pcs
7 – KM000228 NUT.....	4 pcs
9 – 00021237 COVER.....	1 pcs



Set corn blade – right + Engine cover

Model MZ 4500

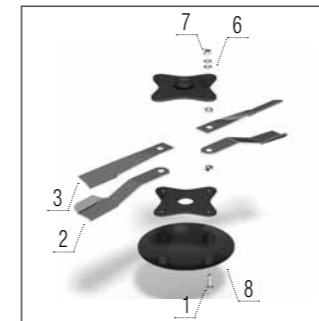
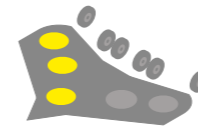
3 – KM060135 BLADE.....	2 pcs
4 – KM060126 BLADE.....	2 pcs
5 – KM000275 SCREW.....	4 pcs
6 – KM000020 WASHER.....	8 pcs
7 – KM000228 NUT.....	4 pcs
8 – 00021106 COVER.....	1 pcs

MULCHER MM

rotary cutter

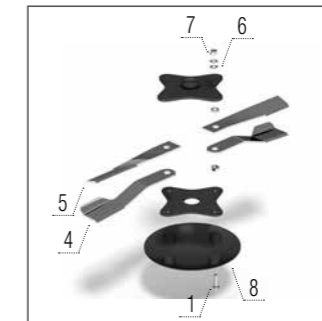


MULCHER MM



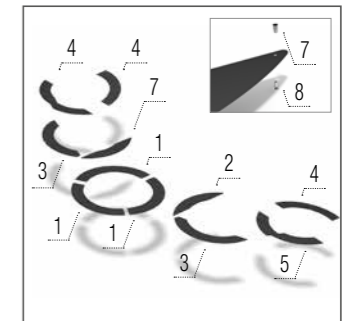
Set corn blade – left + Engine cover

- Model MM**
- 1 – KM000275 SCREW.....4 pcs
 - 2 – KM060134 BLADE.....2 pcs
 - 3 – KM060127 BLADE.....2 pcs
 - 6 – KM000020 WASHER.....8 pcs
 - 7 – KM000228 NUT4 pcs
 - 8 – 00021237 COVER.....1 pcs



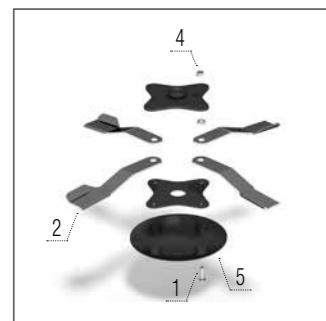
Set corn blade – right + Engine cover

- Model MM**
- 1 – KM000275 SCREW.....4 pcs
 - 4 – KM060135 BLADE.....2 pcs
 - 5 – KM060126 BLADE.....2 pcs
 - 6 – KM000020 WASHER.....8 pcs
 - 7 – KM000228 NUT4 pcs
 - 8 – 00021237 COVER.....1 pcs



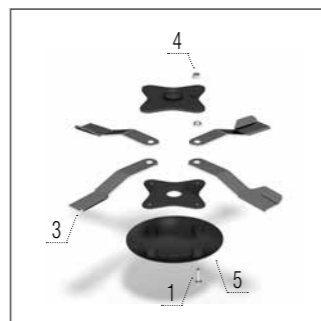
Armour plates set

- Model MM**
- 1 – 00785223 METAL SHEEL.....3 pcs
 - 2 – 00785208 METAL SHEEL.....2 pcs
 - 3 – 00785218 METAL SHEEL.....2 pcs
 - 4 – 00785212 METAL SHEEL.....2 pcs
 - 5 – 00785204 METAL SHEEL.....1 pcs
 - 6 – 00785222 METAL SHEEL.....1 pcs
 - 7 – KM000733 NUT64 pcs
 - 8 – KM000320 SCREW.....64 pcs



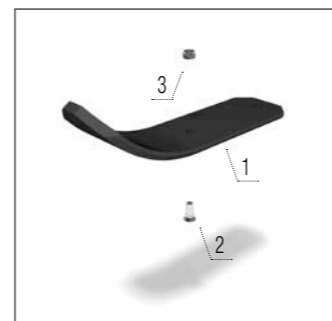
Set grass blade – left + Engine cover

- Model MM**
- 1 – KM000552 SCREW.....4 pcs
 - 2 – KM060134 BLADE.....4 pcs
 - 4 – KM000228 NUT4 pcs
 - 5 – 00021237 COVER.....1 pcs



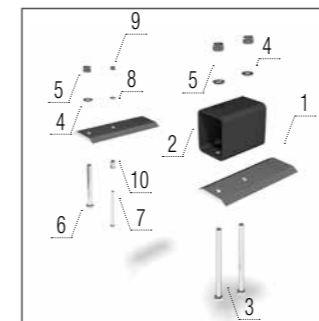
Set grass blade – right + Engine cover

- Model MM**
- 1 – KM000552 SCREW.....4 pcs
 - 3 – KM060135 BLADE.....4 pcs
 - 4 – KM000228 NUT4 pcs
 - 5 – 00021237 COVER.....1 pcs



Protection steel

- Model MM**
- 1 – 00030705 ROD.....1 pcs
 - 2 – KM000143 SCREW.....2 pcs
 - 3 – KM000154 NUT2 pcs



Front counterblade

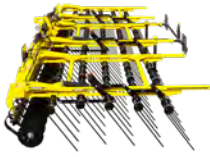
- Model MM**
- 1 – 00021589 HOLLOW SECTION.....1 pcs
 - 2 – KM060108 BLADE.....2 pcs
 - 3 – KM000348 SCREW.....2 pcs
 - 4 – KM000005 WASHER.....3 pcs
 - 5 – KM000057 NUT3 pcs
 - 6 – KM000012 SCREW.....1 pcs
 - 7 – KM000147 SCREW.....1 pcs
 - 8 – KM000081 WASHER.....1 pcs
 - 9 – KM000155 NUT1 pcs
 - 10 – 00021203 HOUSING.....1 pcs

SPARE PART NUMBER

MULCHER		MM 7000
Curved corn blade	pcs	10
Flat corn blade	pcs	10
Grass blade	pcs	20
Armour plates set	pcs	5
Front counterblade	pcs	4
Engine cover	pcs	5
Protection steel	pcs	11

Sortiment

soil cultivation



STRIEGEL-PRO

Harrows



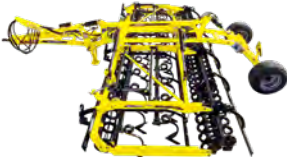
SWIFTERDISC

Disc Cultivators



ATLAS

Disc Cultivators



SWIFTER

Seedbed Cultivators



FENIX

Versatile Cultivators



TERRALAND

Chisel Ploughs



CUTTERPACK

Trailed Packers



PRESSPACK

Trailed Packers



TERRALAND DO

Combined Disc Chisel Plough

seeding and fertilizing



OMEGA

Seed Drills



FERTI-BOX

Hopper for Fertilizer



ALFA DRILL

Seed Hopper

inter-row cultivation mulching



ROW-MASTER

Inter-row Cultivator



MULCHER

Rotary Cutters

BEDNAR FMT, s. r. o.

Lohenicka 607
190 17 Praha-Vinor
Czech Republic



info@bednarfmt.com
www.bednar-machinery.com



* M A 0 0 0 3 0 3 *