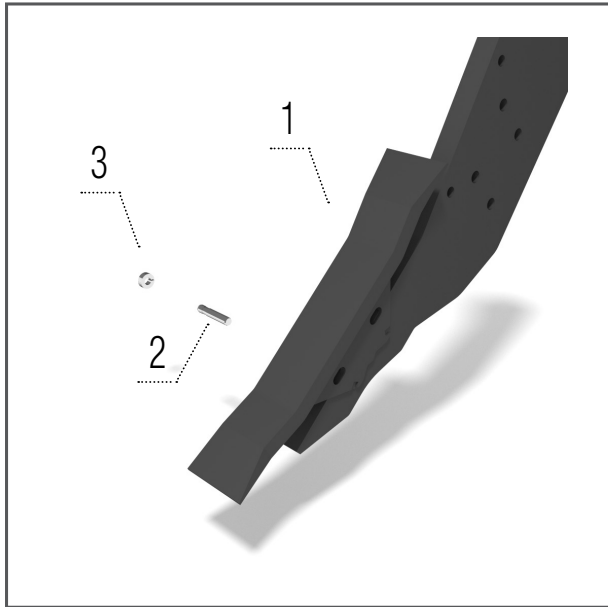


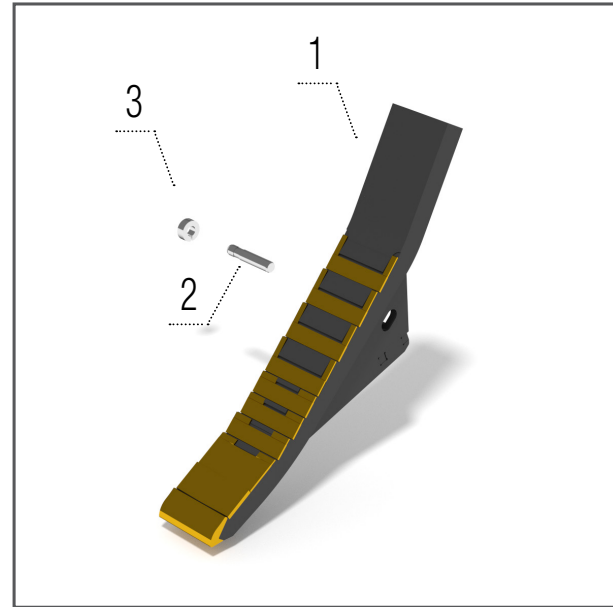
SPARE PART NUMBER

TERRALAND		TN 3000 M5R/D5R TN 3000 HM5R	TN 3000 M7R/D7R	TN 4000 M7R/D7R	TN 4000 M9R/D9R	TO 4000	TO 5000	TO 6000
			TN 3000 HM7R/HD7R TN 3000 D7R PROFI TN 3000 HD7R PROFI	TN 4000 HD7R PROFI	TN 4000 HM9R/HD9R TN 4000 D9R PROFI TN 4000 HD9R PROFI			
Chisel	pcs	5	7	7	9	9	11	13
Share wing right	pcs	5	7	7	9	9	11	13
Share wing left	pcs	5	7	7	9	9	11	13
Blade	pcs	5	7	7	9	9	11	13
Tension bolt	pcs	5	7	7	9	9	11	13
Coulter model TN_Profi	pcs	—	32	40	40	—	—	—



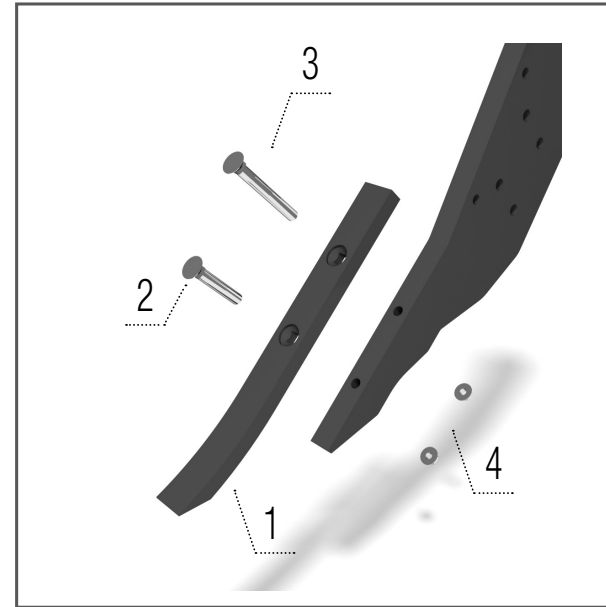
**Chisel
70 mm**

- Models TN_M, TN_HM, TN_RT, TO**
- 1 – KM060415 CHISEL.....1 pcs
 - 2 – KM000479 PIN.....1 pcs
 - 3 – KM000480 RING1 pcs



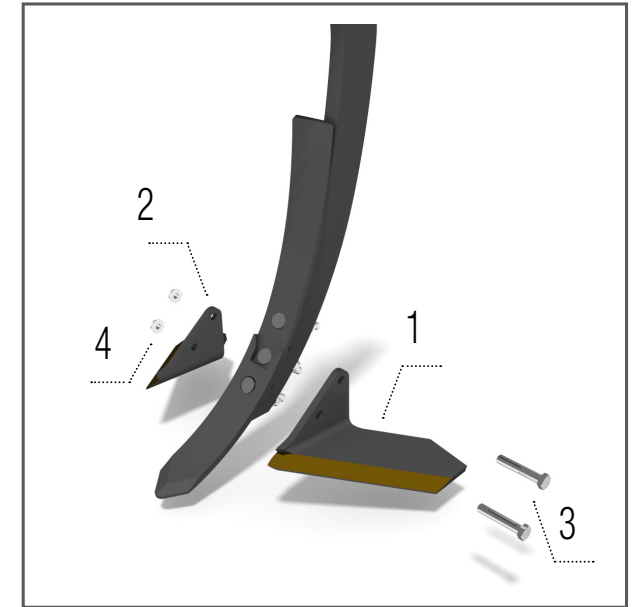
**Chisel 70 mm
LONG LIFE**

- Models TN_M, TN_HM, TN_RT, TO**
- 1 – KM060410 CHISEL.....1 pcs
 - 2 – KM000479 PIN.....1 pcs
 - 3 – KM000480 RING1 pcs



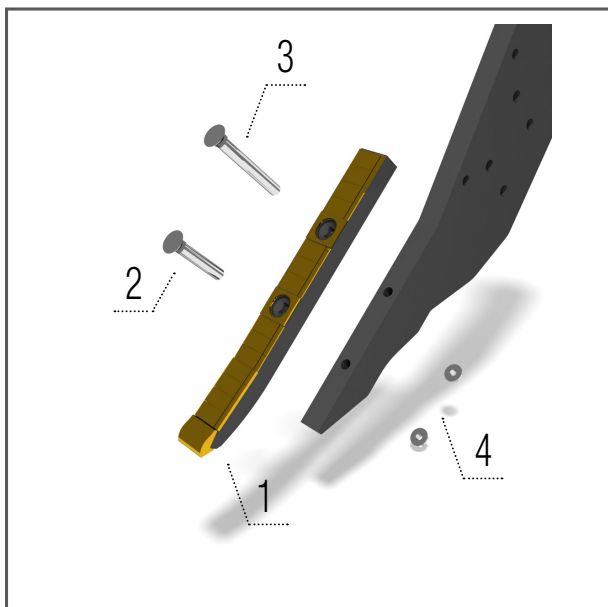
**Chisel
40 mm**

- Models TN_M, TN_HM, TN_RT, TO,
TN_D, TN_HD, TN_PROFI**
- 1 – KM060231 CHISEL.....1 pcs
 - 2 – KM000857 SCREW1 pcs
 - 3 – KM000906 SCREW1 pcs
 - 4 – KM000855 NUT2 pcs



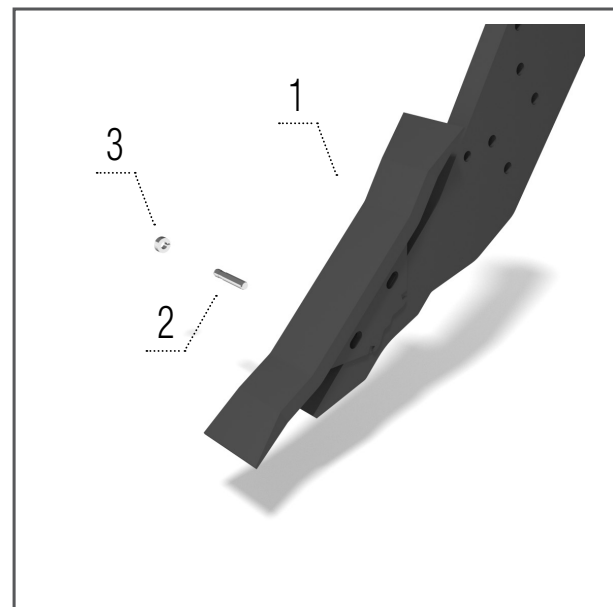
**Share wing 185 mm
LONG LIFE**

- Model TO, TN**
- 1 – KM060483 WING1 ks
 - 2 – KM060484 WING1 ks
 - 3 – KM000163 SCREW2 ks
 - 4 – KM000296 NUT2 ks



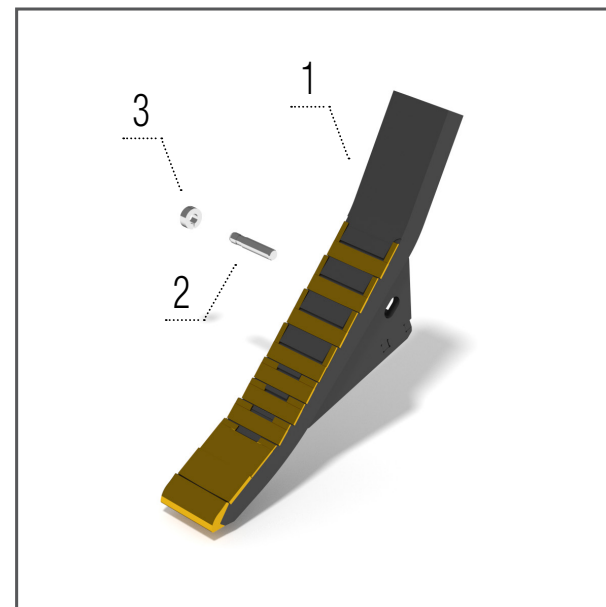
**Chisel 40 mm
LONG LIFE**

- Models TN_M, TN_HM, TN_RT, TO,
TN_D, TN_HD, TN_PROFI**
- 1 – KM060340 CHISEL.....1 pcs
 - 2 – KM000854 SCREW1 pcs
 - 3 – KM000906 SCREW1 pcs
 - 4 – KM000855 NUT2 pcs



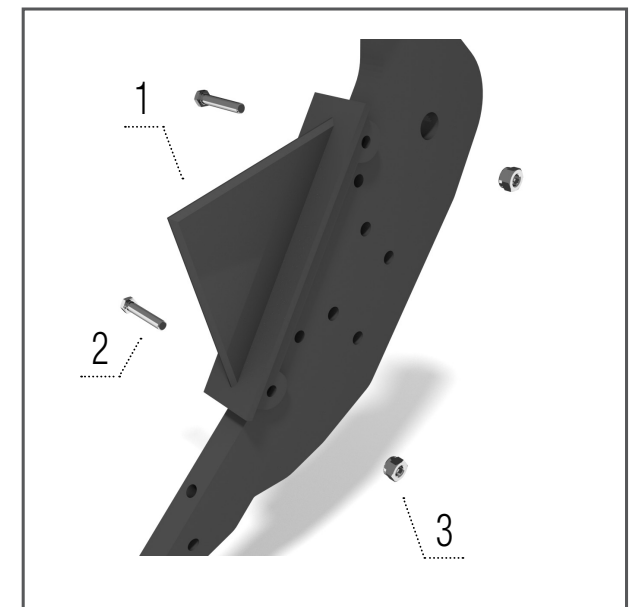
**Chisel
70 mm**

- Models TN_D, TN_HD, TN_PROFI**
- 1 – KM060415 CHISEL.....1 pcs
 - 2 – KM000479 PIN.....1 pcs
 - 3 – KM000480 RING1 pcs



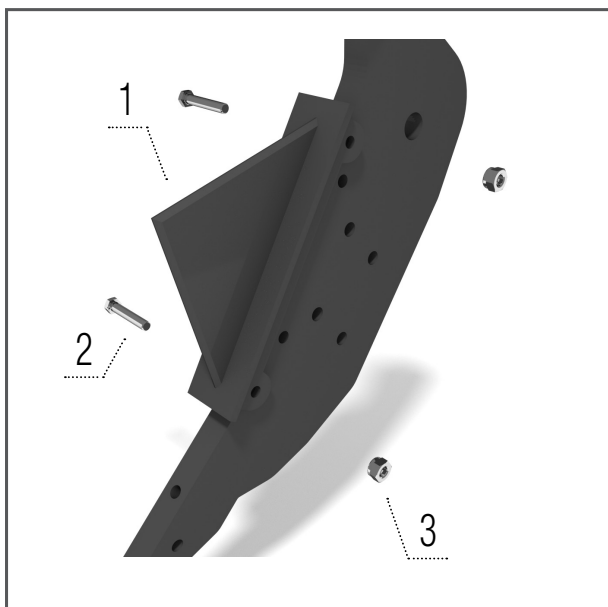
**Chisel 70 mm
LONG LIFE**

- Models TN_D, TN_HD, TN_PROFI**
- 1 – KM060411 CHISEL.....1 pcs
 - 2 – KM000479 PIN.....1 pcs
 - 3 – KM000480 RING1 pcs



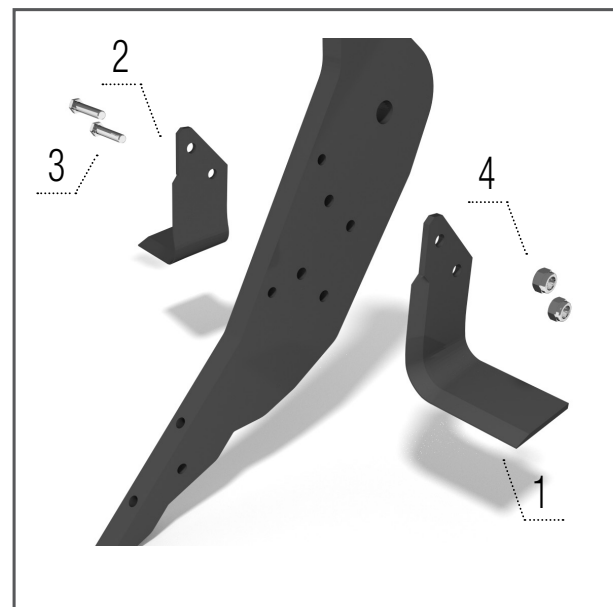
Blade M

- Models TN_M, TN_HM, TN_RT, TO**
- 1 – KM060469 COVER1 pcs
 - 2 – KM000333 SCREW2 pcs
 - 3 – KM000154 NUT2 pcs



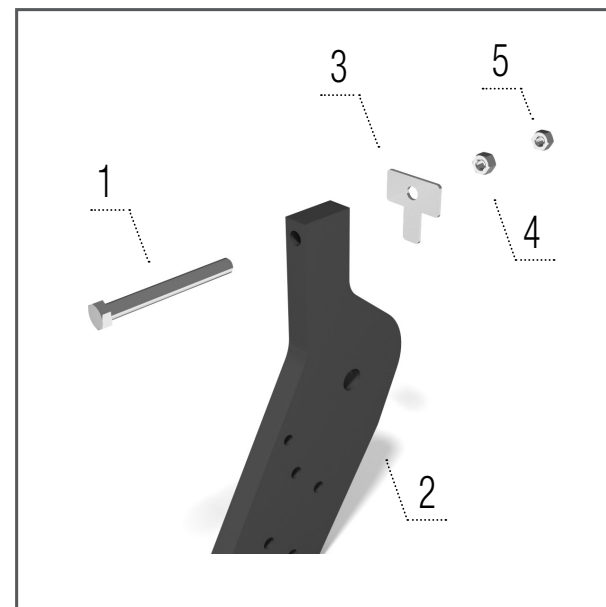
Blade D

- Models TN_D, TN_HD, TN_PROFI**
- 1 – KM060172 COVER1 pcs
 - 2 – KM000033 SCREW2 pcs
 - 3 – KM000154 NUT2 pcs



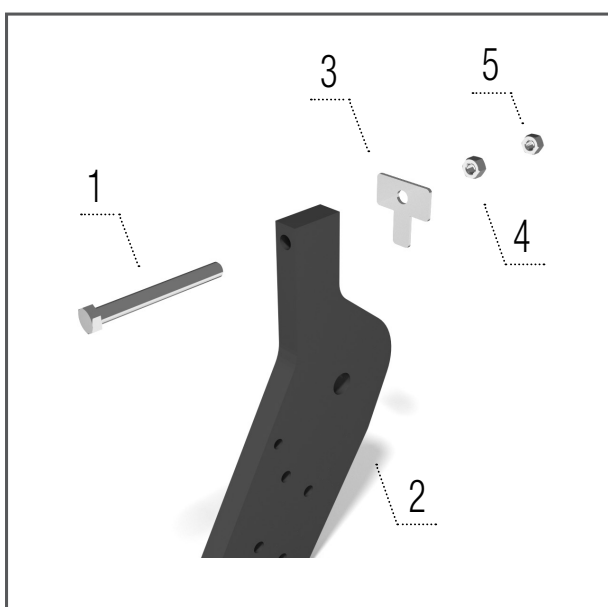
**Share wings left and
right**

- Models TN_M, TN_HM, TN_RT, TO,
TN_D, TN_HD, TN_PROFI**
- 1 – KM060351 WING1 pcs
 - 2 – KM060350 WING1 pcs
 - 3 – KM000550 SCREW2 pcs
 - 4 – KM000241 NUT2 pcs



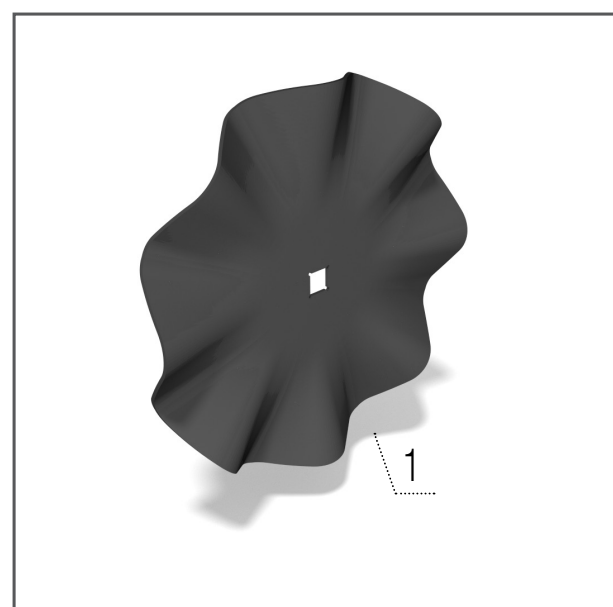
**Tension
bolt M**

- Models TN_M, TN_HM, TN_RT, TO**
- 1 – KM000091 SCREW1 pcs
 - 2 – 00039317 HOLDER1 pcs
 - 3 – 00123400 WASHER1 pcs
 - 4 – KM000003 NUT1 pcs
 - 5 – KM000323 NUT1 pcs



Tension bolt D

- Models TN_D, TN_HD, TN_PROFI**
- 1 – KM000091 SCREW1 pcs
 - 2 – 00004666 HOLDER1 pcs
 - 3 – 00123400 WASHER1 pcs
 - 4 – KM000003 NUT1 pcs
 - 5 – KM000323 NUT1 pcs



Coulter

- Model TN_Profi**
- 1 – KM060296 DISC1 pcs