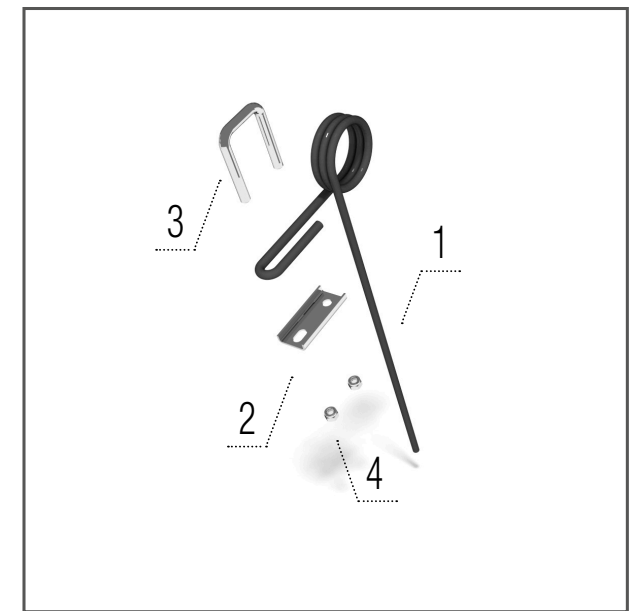


# SPARE PART NUMBER

## SWIFTERDISC

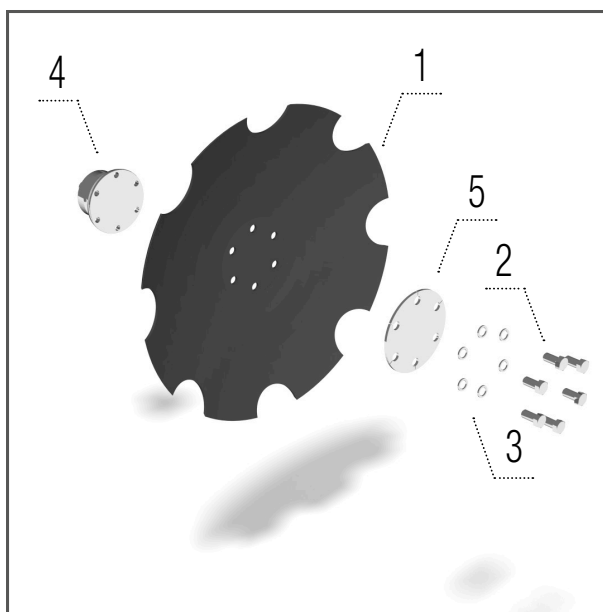
		XO 4000 F	XO 4500 F	XO 5000 F	XO 6000 F	XO 8000 F
Serrated disc 520 × 5 mm	pcs	30	34	38	46	58
A-disc 520 × 5 mm	pcs	30	34	38	46	58
Levelling disc – left	pcs	1	1	1	1	1
Levelling disc – right	pcs	1	1	1	1	1
Crushbar paddle	pcs	14	16	20	22	28
Crushbar paddle (machine equipped with support wheels)	pcs	12	12	14	18	24
Harrow tine	pcs	31	33	37	43	55
Scraper V-ring roller	pcs	30	34	38	46	56
Scraper V-ring roller	pcs	33	37	41	49	59
Scraper Roadpacker	pcs	33	37	41	49	59
Scraper Spring packer	pcs	19	21	23	27	33



## Harrow tine

### Model XO\_F

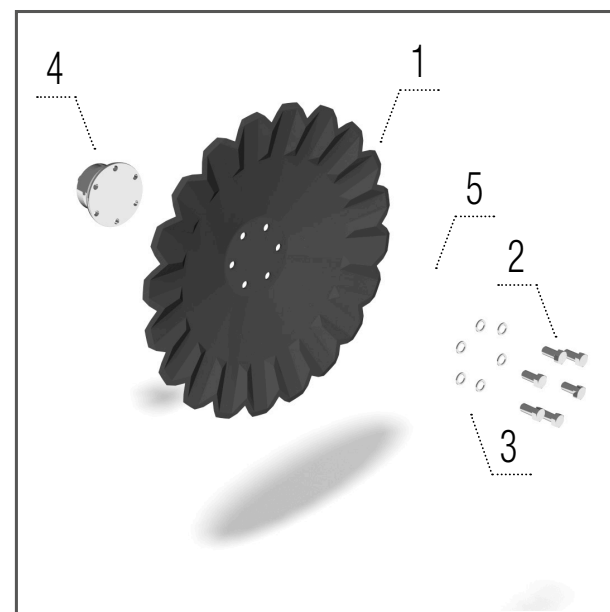
- 1 – KM030007 Tine .....1 pcs
- 2 – 00002940 WASHER .....1 pcs
- 3 – KM380001 STIRRUP .....1 pcs
- 4 – KM000154 NUT .....2 pcs



## Serrated disc 520 × 5 mm

### Models XO\_F, XE

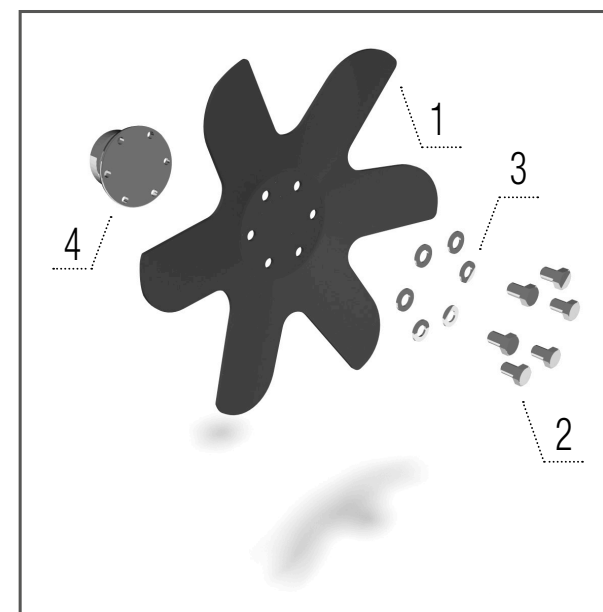
- 1 – KM060304 DISC .....1 pcs
- 2 – KM000930 SCREW .....6 pcs
- 3 – KM000963 WASHER .....6 pcs
- 4 – KM040146 HUB .....1 pcs
- 5 – 00913027 WASHER .....1 pcs



## A-disc 520 × 5 mm

### Models XO\_F, XE

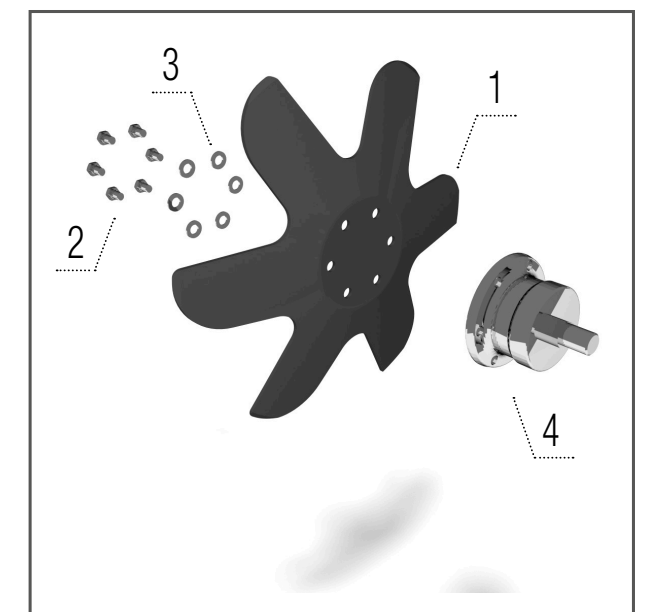
- 1 – KM060230 DISC .....1 pcs
- 2 – KM000930 SCREW .....6 pcs
- 3 – KM000963 WASHER .....6 pcs
- 4 – KM040146 HUB .....1 pcs
- 5 – 00913027 WASHER .....1 pcs



## Levelling disc – left

### Models XO\_F, XE

- 1 – KM060251 DISC .....1 pcs
- 2 – KM000489 SCREW .....6 pcs
- 3 – KM000056 WASHER .....6 pcs
- 4 – KM040146 HUB .....1 pcs



## Levelling disc – right

### Models XO\_F, XE

- 1 – KM060250 DISC .....1 pcs
- 2 – KM000489 SCREW .....6 pcs
- 3 – KM000056 WASHER .....6 pcs
- 4 – KM040146 HUB .....1 pcs